

**SEALED BURNER RANGETOPS
INSTALLATION INSTRUCTIONS**

INSTRUCCIONES DE INSTALACIÓN

INSTRUCTIONS D'INSTALLATION

ISTRUZIONI PER L'INSTALLAZIONE

INSTALLATIONSANWEISUNGEN

WOLF®



ENGLISH	4
ESPÁNOL	18
FRANÇAIS	32
ITALIANO	46
DEUTSCH	60



CONTACT INFORMATION

Website:
wolfappliance.com

As you follow these instructions, you will notice **WARNING** and **CAUTION** symbols. This blocked information is important for the safe and efficient installation of Wolf equipment. There are two types of potential hazards that may occur during installation.

⚠ CAUTION

signals a situation where minor injury or product damage may occur if you do not follow instructions.

⚠ WARNING

states a hazard that may cause serious injury or death if precautions are not followed.

Another footnote we would like to identify is **IMPORTANT NOTE**: This highlights information that is especially relevant to a problem-free installation.

**INSTALLATION** REQUIREMENTS**⚠ WARNING**

This appliance shall be installed in accordance with the regulations in force and only used in a well ventilated space. Read the instructions before installing or using this appliance.

IMPORTANT NOTE:

- Installation and service must be performed by a qualified installer, service agency or the gas supplier.
- Do not store or use gasoline or other flammable vapors and liquids in the vicinity of this or any other appliance.
- The use of a gas cooking appliance results in the production of heat and moisture in the room in which it is installed. Ensure that the kitchen is well ventilated; keep natural ventilation holes open or install a mechanical ventilation device (mechanical extractor hood)
- Prolonged intensive use of the appliance may for additional ventilation, for example opening of a window, or more effective ventilation, for example increasing the level of mechanical ventilation where present.

WHAT TO DO IF YOU SMELL GAS:

- Do not try to light any appliance.
- Do not touch any electrical switch.
- Do not use any phone in your building.
- Immediately call your gas supplier from a neighbor's phone. Follow the gas supplier's instructions.
- If you cannot reach your gas supplier, call the fire department.



RATING PLATE INFORMATION

Model Number

Serial Number

INSTALLATION REQUIREMENTS

IMPORTANT NOTE: This installation must be completed by a qualified installer, service agency or gas supplier.

IMPORTANT NOTE: Save these Installation Instructions for the local inspector’s use.

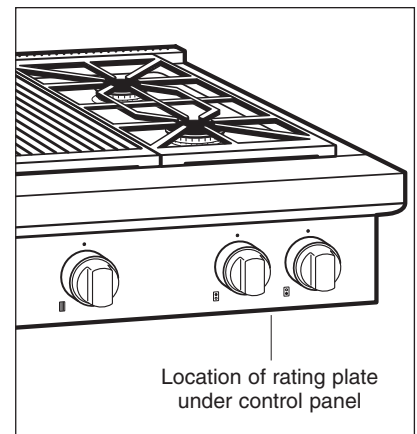
- Please read the entire Installation Instructions prior to installation.
- **Installer:** please retain these instructions for local inspector’s reference, then leave them with the homeowner.
- **Homeowner:** please read and keep these instructions for future reference and be sure to read the entire Use & Care Information prior to use.

IMPORTANT NOTE: This appliance must be installed in accordance with local codes. The correct voltage, frequency and amperage must be supplied to the appliance from a dedicated, grounded circuit which is protected by a properly sized circuit breaker or time delay fuse. The proper voltage, frequency, and amperage ratings are listed on the product rating plate.

Record the model and serial numbers before installing the sealed rangetop. Both numbers are listed on the rating plate, located on the underside of the sealed rangetop. Refer to the illustration below.

BEFORE YOU START

- Proper installation is your responsibility. Have a qualified technician install this sealed rangetop. You must also assure that electrical installation is adequate and in compliance with all local codes and ordinances.
- Prior to installation, ensure that the local distribution conditions (nature of the gas and gas pressure) and the adjustment of the appliance are compatible.
- Proper gas supply connection must be available; refer to Gas Supply Requirements on page 12. Electrical ground is required; see Electrical Requirements on page 15.
- The adjustment conditions for this appliance are stated on the label (or rating plate). The data plate can be found on the underside of the sealed rangetop.



Rating plate location



BEFORE YOU START

- Check the location where the rangetop will be installed. The location should be away from strong draft areas, such as windows, doors and strong heating vents or fans. Do not obstruct the flow of air. The area in which you are installing this appliance must have an adequate supply of fresh air to ensure proper combustion and ventilation.
- This appliance is not connected to a combustion products evacuation device. It shall be installed and connected in accordance with current installation regulations. Particular attention shall be given to the relevant requirements regarding ventilation.
- All openings in the wall where the rangetop is to be installed must be sealed.

INSTALLATION SPECIFICATIONS

Wolf sealed burner rangetops come in 762 mm, 914 mm and 1219 mm widths. Illustrations on pages 9–11 provide the overall dimensions and installation specifications for each width of sealed burner rangetop.

Each rangetop is designed to fit between cabinets set at the distance specified by the unit. For example, a 914 mm rangetop will fit a 914 mm opening.

IMPORTANT NOTE: Cabinet opening dimensions shown in the Installation Specifications illustrations must be used. These dimensions provide for required clearances.

IMPORTANT NOTE: Locate the electrical supply within dimensions shown in the Installation Specifications illustrations.

Refer to the Installation Specifications illustration for your model on pages 9–11 for the exact rough opening dimensions and location of the gas and electrical supply.

MINIMUM CLEARANCES

IMPORTANT NOTE: Caution must be used in planning the proper installation of the Wolf sealed burner rangetop to avoid fire or damage to adjacent cabinetry or kitchen equipment. Be sure to follow the minimum clearances established in the finished rough opening dimensions.

Refer to the Installation Specifications illustration for your model on pages 9–11 for the exact rough opening dimensions.

WALL INSTALLATIONS**Minimum clearances to combustible surfaces:**

- Minimum 457 mm clearance from bottom of upper cabinet to countertop, within 152 mm minimum side clearance.
- Minimum spacing between overhead side cabinets must be greater than or equal to the nominal width of the rangetop. The maximum depth of overhead and side cabinets is 330 mm, within 152 mm side clearance.
- 0 mm clearance for adjacent combustible materials below the countertop, both sides and rear.
- Bottom of ventilation hood must be 762 mm minimum to 914 mm maximum from countertop.

Minimum clearances for sealed burner rangetops without a ventilation hood:

- Model ICBSRT304: 762 mm minimum vertical distance from countertop to combustible materials above the rangetop.

All Other Sealed Burner Rangetops:

- Surface Burners or Griddle (G) Models: 914 mm minimum vertical distance from countertop to combustible materials above the rangetop.
- Charbroiler (C) Models: 1118 mm minimum vertical distance from countertop to combustible materials above the rangetop.

ISLAND | PENINSULA INSTALLATIONS**Minimum clearances to combustible surfaces:**

- Island Installations: Minimum 305 mm clearance to rear wall that rises above the countertop.
- Peninsula Installations: Minimum 152 mm clearance to side walls and minimum 305 mm clearance to rear wall that rises above the countertop.

Refer to the Installation Specifications illustration for your model on pages 9–11 for the exact rough opening dimensions.

⚠ WARNING

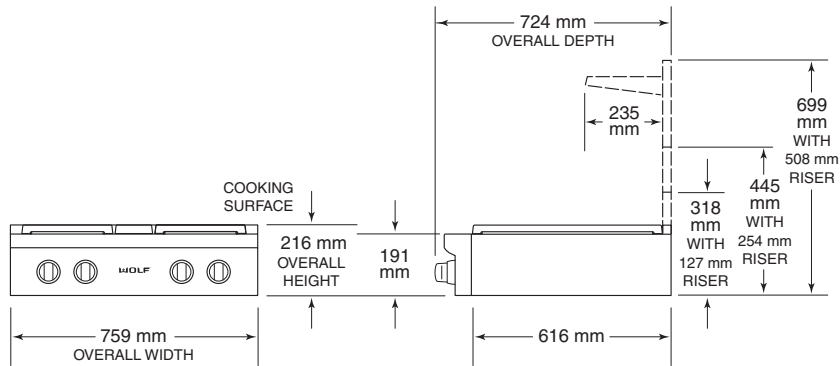
Failure to locate the rangetop without the proper clearances will result in a fire hazard.

RISER REQUIREMENTS**Installations against a combustible surface:**

- Model ICBSRT304: No riser requirements.
- 914 mm Sealed Burner Rangetops: A minimum 254 mm riser is required for all charbroiler (C) or griddle (G) models installed against a combustible surface.
- 1219 mm Sealed Burner Rangetops: A minimum 254 mm riser is required for all charbroiler (C) or griddle (G) models installed against a combustible surface.



762 mm SEALED BURNER RANGETOP

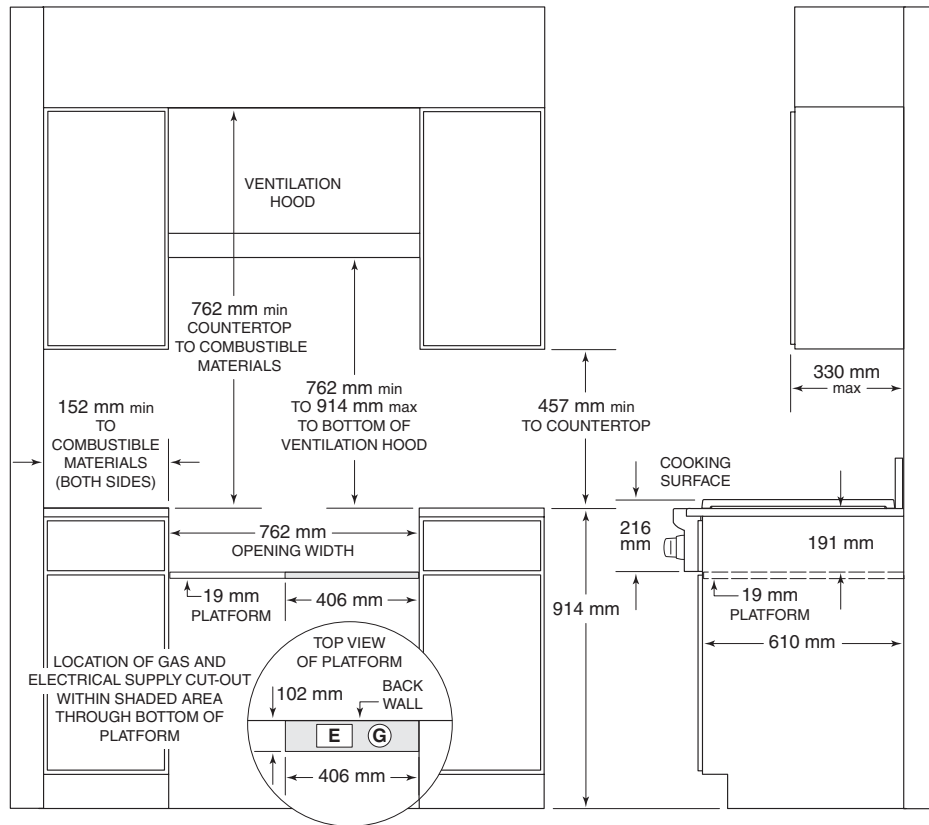


OVERALL DIMENSIONS

Overall Width	759 mm
Overall Height (to cooking surface)	216 mm
Overall Depth	724 mm
Opening Width	762 mm

Dimensions may vary to ±3 mm.

INSTALLATION SPECIFICATIONS



ISLAND INSTALLATIONS: 305 mm MINIMUM CLEARANCE FROM BACK OF RANGETOP TO COMBUSTIBLE REAR WALL ABOVE COUNTERTOP- 0 mm TO NON-COMBUSTIBLE MATERIALS

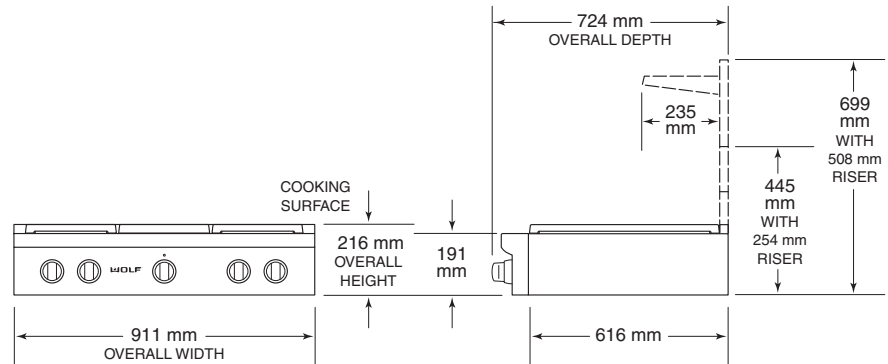


914 mm SEALED BURNER RANGETOP

OVERALL DIMENSIONS

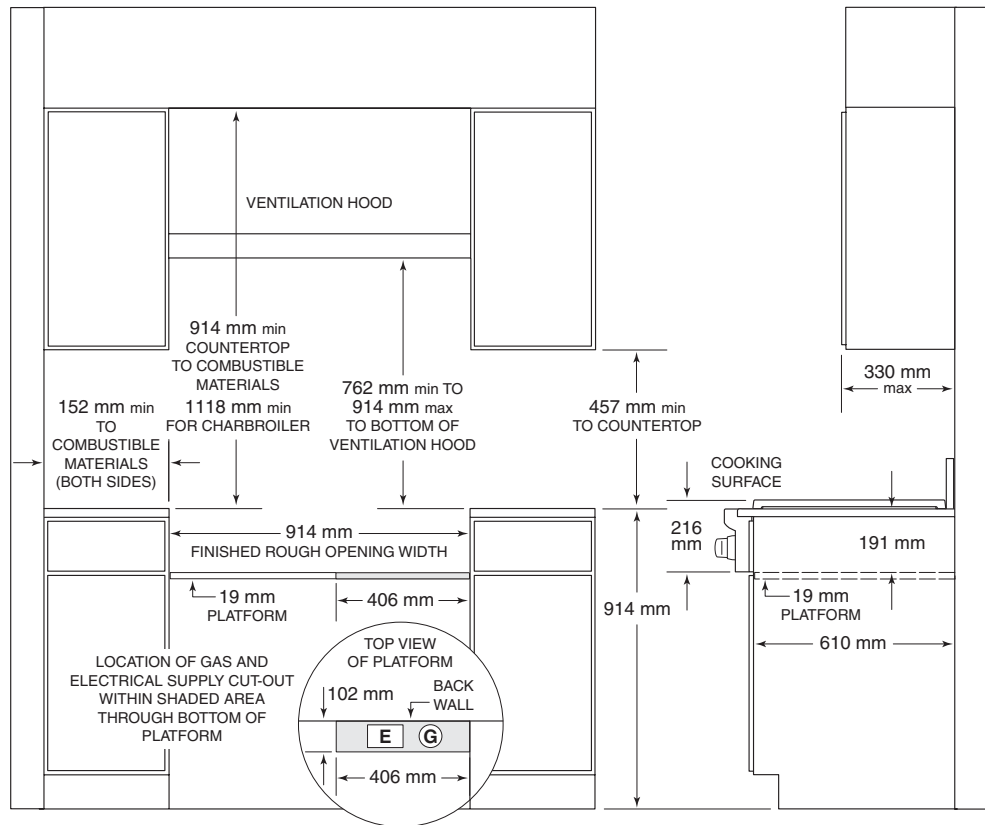
Overall Width	911 mm
Overall Height (to cooking surface)	216 mm
Overall Depth	724 mm
Opening Width	914 mm

Dimensions may vary to ±3 mm.



INSTALLATION SPECIFICATIONS

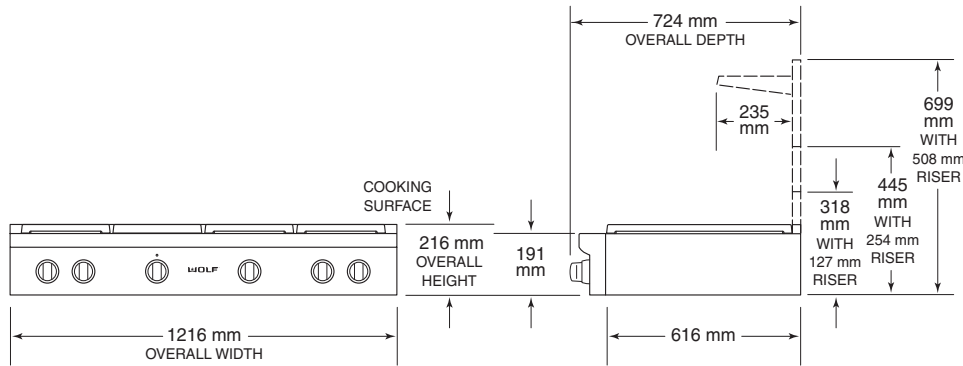
IMPORTANT NOTE:
A minimum 254 mm riser is required for all charbroiler (C) or griddle (G) models installed against a combustible surface.



ISLAND INSTALLATIONS: 305 mm MINIMUM CLEARANCE FROM BACK OF RANGETOP TO COMBUSTIBLE REAR WALL ABOVE COUNTERTOP- 0 mm TO NON-COMBUSTIBLE MATERIALS



1219 mm SEALED BURNER RANGETOP

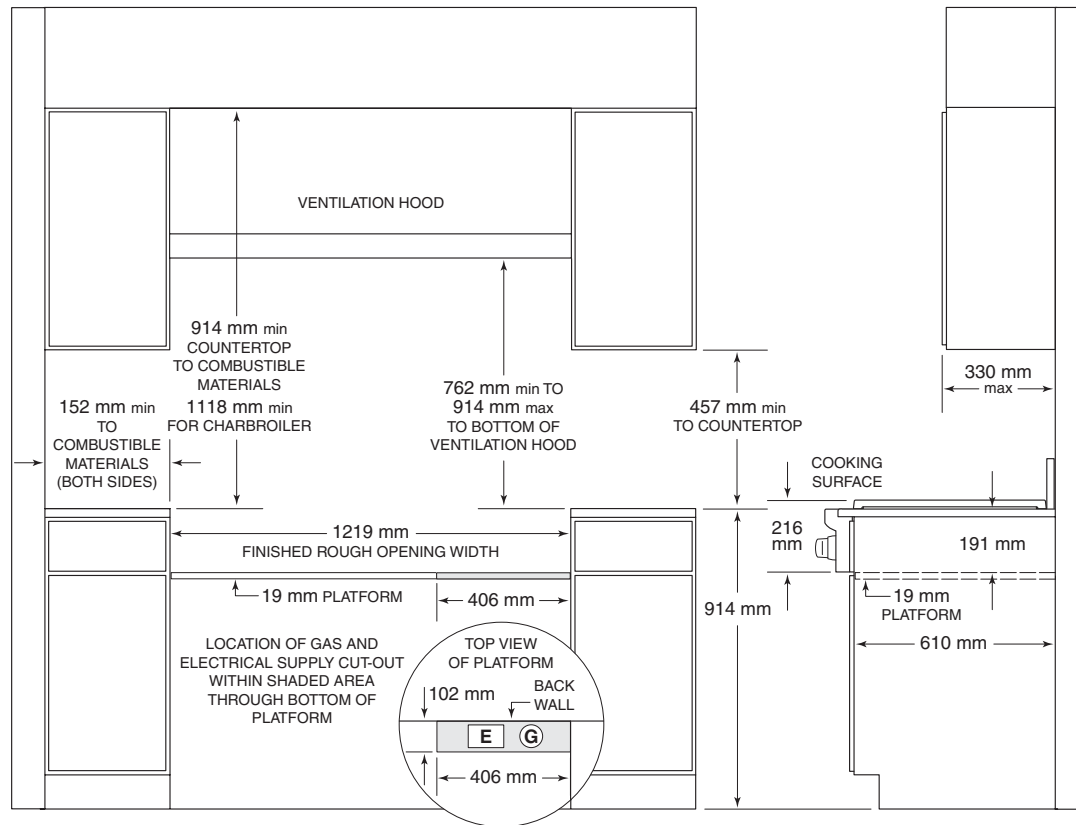


OVERALL DIMENSIONS

Overall Width	1216 mm
Overall Height (to cooking surface)	216 mm
Overall Depth	724 mm
Opening Width	1219 mm

Dimensions may vary to ±3 mm.

INSTALLATION SPECIFICATIONS



IMPORTANT NOTE:
For 1219 mm sealed burner rangetops, a minimum 254 mm riser is required for all charbroiler (C) or griddle (G) models installed against a combustible surface.

ISLAND INSTALLATIONS: 305 mm MINIMUM CLEARANCE FROM BACK OF RANGETOP TO COMBUSTIBLE REAR WALL ABOVE COUNTERTOP- 0 mm TO NON-COMBUSTIBLE MATERIALS

**INSTALL THE RANGETOP**

Prepare the finished rough opening for the rangetop according to the Installation Specifications illustration for your model on pages 9–11. The platform must be 19 mm thick and include a cut-out at the right rear for gas supply and electrical connections.

IMPORTANT NOTE: The platform must be level to ensure that the cooking surface is level.

Remove and discard all packing materials, including cardboard and tape on the outside of the rangetop. Remove the burner grates and styrofoam off the top cooking surface. Be sure to remove the burner caps packaged in styrofoam below the burner grates.

If your installation requires a riser, it must be attached to the rangetop before installation. Refer to the installation instructions packaged with the riser.

Position the rangetop on the platform. Gas supply and electrical connections should be made before the rangetop is placed in its final position.

GAS SUPPLY REQUIREMENTS**⚠ WARNING****EXPLOSION HAZARD—**

Securely tighten all external gas connections.

Failure to do so can result in explosion, fire or death.

IMPORTANT NOTE: The sealed rangetop must be connected to a regulated gas supply.

IMPORTANT NOTE: This installation must conform with local codes and ordinances.

The rating plate, located on the underside of the burner box, has information on the type of gas that should be used. If this information does not agree with the type of gas available, check with the local gas supplier.

An ISO 7-1 gas inlet thread is provided on all units. Please contact your local Wolf dealer if an ISO 228-1 or other gas inlet thread is required. Pipe joint compounds, suitable for use with LP gas should be used. LP gas suppliers usually determine the size and materials used on the system.

If local codes permit, a flexible metal appliance connector is recommended for connecting this sealed rangetop to the gas supply line. Do not kink or damage the flexible connector when moving the sealed rangetop. You will need to determine the fittings required, depending on the size of your gas supply line, flexible metal connector and shut-off valve.

If rigid pipe is used as a gas supply line, a combination of pipe fittings must be used to obtain an in-line connection to the sealed rangetop. All strains must be removed from the supply and gas lines so the sealed rangetop will be level and in line.

IMPORTANT NOTE

This installation must conform with local codes and ordinances.



GAS RATING

Model #	Total Heat Output (Gas)	Gas Units	Electrical Rating (Amps)	Appliance Category	Types and Pressures (mbar)	Country of Destination
ICBSRT304	16.6	kW	0.17	I2H	G20 at 20	AT, DK, EE, FI, GR, IE, IT, LT, NO, PT, ES, SE, SI, SK, GB, CH
				I2E	G20 at 20	DE, PL
				I2E+	G20 at 20/25	BE, FR
ICBSRT304-LP	1037	g/h	0.17	I3P	G31 at 37	BE, CZ, FR, GR, IE, NL, NO, PT, ES, GB, CH
ICBSRT364C	22.4	kW	0.17	I2H	G20 at 20	AT, DK, EE, FI, GR, IE, IT, LT, NO, PT, ES, SE, SI, SK, GB, CH
				I2E	G20 at 20	DE, PL
				I2E+	G20 at 20/25	BE, FR
ICBSRT364C-LP	1415	g/h	0.17	I3P	G31 at 37	BE, CZ, FR, GR, IE, NL, NO, PT, ES, GB, CH
ICBSRT364G	22.1	kW	0.17	I2H	G20 at 20	AT, DK, EE, FI, GR, IE, IT, LT, NO, PT, ES, SE, SI, SK, GB, CH
				I2E	G20 at 20	DE, PL
				I2E+	G20 at 20/25	BE, FR
ICBSRT364G-LP	1373	g/h	0.17	I3P	G31 at 37	BE, CZ, FR, GR, IE, NL, NO, PT, ES, GB, CH
ICBSRT486C	31.6	kW	0.17	I2H	G20 at 20	AT, DK, EE, FI, GR, IE, IT, LT, NO, PT, ES, SE, SI, SK, GB, CH
				I2E	G20 at 20	DE, PL
				I2E+	G20 at 20/25	BE, FR
ICBSRT486C-LP	1987	g/h	0.17	I3P	G31 at 37	BE, CZ, FR, GR, IE, NL, NO, PT, ES, GB, CH
ICBSRT486G	31.3	kW	0.17	I2H	G20 at 20	AT, DK, EE, FI, GR, IE, IT, LT, NO, PT, ES, SE, SI, SK, GB, CH
				I2E	G20 at 20	DE, PL
				I2E+	G20 at 20/25	BE, FR
ICBSRT486G-LP	1945	g/h	0.17	I3P	G31 at 37	BE, CZ, FR, GR, IE, NL, NO, PT, ES, GB, CH
ICBSRT484CG	27.9	kW	0.17	I2H	G20 at 20	AT, DK, EE, FI, GR, IE, IT, LT, NO, PT, ES, SE, SI, SK, GB, CH
				I2E	G20 at 20	DE, PL
				I2E+	G20 at 20/25	BE, FR
ICBSRT484CG-LP	1751	g/h	0.17	I3P	G31 at 37	BE, CZ, FR, GR, IE, NL, NO, PT, ES, GB, CH
ICBSRT484F	21.2	kW	0.17	I2H	G20 at 20	AT, DK, EE, FI, GR, IE, IT, LT, NO, PT, ES, SE, SI, SK, GB, CH
				I2E	G20 at 20	DE, PL
				I2E+	G20 at 20/25	BE, FR
ICBSRT484F-LP	1323	g/h	0.17	I3P	G31 at 37	BE, CZ, FR, GR, IE, NL, NO, PT, ES, GB, CH



GAS SUPPLY REQUIREMENTS

GAS LEAK TESTING

Use a brush and liquid detergent to test all gas connections for leaks. Bubbles around connections will indicate a leak. If a leak appears, shut off the gas valve and adjust connections. Then check connections again. Clean all the detergent solution from the rangetop.

⚠ WARNING

Never test for a gas leak with a match or other flame.



ELECTRICAL REQUIREMENTS

⚠ WARNING

ELECTRICAL SHOCK HAZARD—
Plug into a grounded 3-prong adapter.
Do not remove ground prong.
Do not use an adapter.
Failure to follow these instructions can result in electric shock, fire or death.

IMPORTANT NOTE: If codes permit and a separate ground wire is used, it is recommended that a qualified electrician determine that the ground path is adequate.

IMPORTANT NOTE: Check with a qualified electrician if you are not sure whether the sealed rangetop is properly grounded.

IMPORTANT NOTE: Do not ground to a gas pipe.

A 220-240 VAC, 50/60 Hz, fused electrical supply is required. A time-delay fuse or circuit breaker is recommended. It is recommended that a separate circuit serving only this appliance be provided.

Electronic ignition systems operate within wide voltage limits, but proper ground and polarity are necessary. In addition to checking that the outlet provides 220-240 VAC power and is correctly grounded, the outlet must be checked by a qualified electrician to see if it is wired with correct polarity.

This appliance, when installed, must be electrically grounded in accordance with local codes.

RECOMMENDED GROUND METHOD

IMPORTANT NOTE: For your personal safety, this sealed rangetop must be grounded. This sealed rangetop is equipped with a 3-prong ground plug. To minimize possible shock hazard, the cord must be plugged into a mating 3-prong ground-type outlet, grounded in conformance with all local codes and ordinances. If a mating outlet is not available, it is the obligation of the customer to have a properly grounded, 3-prong outlet installed by a qualified electrician.

IMPORTANT NOTE: If product is connected to a GFCI protected outlet, nuisance tripping of power supply may occur, resulting in loss of product operation.

WIRING DIAGRAM

The wiring diagram covering the electrical circuit is located on the inside left wall of the rangetop.



SURFACE BURNERS

INITIAL LIGHTING

The surface burners use electronic igniters in place of standing pilots. When the sealed rangetop control knob is pushed in and turned to the 🔥 position, the system creates a spark to light the burner. This sparking continues until the electronic ignition senses a flame. If the burner fails to ignite after 10 seconds, return the knob to the ○ position and attempt to ignite by turning the knob back to the 🔥 position.

Be sure to place the burner heads and caps on each burner base and position the burner grates over the burner bases and heads before lighting.

To check operation of the surface burners, push in and turn each control knob to the 🔥 position. The flame should light within four seconds.

If the burners do not light properly, turn control knob to the ○ position. Check that the burner heads and caps are in the proper position. Check that the power supply cord is plugged in and that the circuit breaker or house fuse has not blown. Check operation again, if the burners do not light properly at this point, contact a Wolf authorized service center.

IMPORTANT NOTE: Initial lighting of the surface burners may take slightly longer, as air in the system must be purged before gas can be supplied to the burner.

SEALED RANGETOP REMOVAL

If it is necessary to remove the sealed rangetop for cleaning or service, shut off the gas supply. Disconnect the gas and electric supply. Remove the mounting brackets on the right and left side of the burner box and remove the sealed rangetop. Reinstall in the reverse order and check the gas connection for leaks.

TROUBLESHOOTING

IMPORTANT NOTE: If the sealed rangetop does not operate properly, follow these troubleshooting steps:

- Verify that power is being supplied to the sealed rangetop.
- Check that gas valves are turned to the ON position.
- Check the gas supply and electrical connections to ensure that the installation has been completed correctly.
- Follow troubleshooting procedures as described in the Wolf Sealed Burner Rangetops Use & Care Information.
- If the sealed rangetop still does not work, contact a Wolf authorized service center. Do not attempt to repair the sealed rangetop yourself. Wolf is not responsible for service required to correct a faulty installation.



IF YOU NEED **SERVICE**

- For service in your area, contact either your Wolf dealer or visit the Showroom Locator section of our website, wolfappliance.com to find the regional distributor by country.
- When calling for service, you will need the sealed rangetop model and serial numbers. Both numbers are listed on the rating plate, located on the underside of the sealed rangetop. Refer to the illustration on page 6 for location of the rating plate.

CONTACT INFORMATION

Website:
wolfappliance.com

The information and images in this book are the copyright property of Wolf Appliance, Inc., an affiliate of Sub-Zero, Inc. Neither this book nor any information or images contained herein may be copied or used in whole or in part without the express written permission of Wolf Appliance, Inc., an affiliate of Sub-Zero, Inc.

©Wolf Appliance, Inc. all rights reserved.



WOLF[®]

INFORMACIÓN
DE CONTACTO

Página Web:
www.sub-zero.eu.com

Cuando consulte las instrucciones que aparecen en esta guía, encontrará símbolos de **ADVERTENCIA** y **PRECAUCIÓN**. Esta información en recuadros es importante para instalar el equipo de Wolf de forma segura y eficaz. Existen dos tipos de posibles riesgos que pueden producirse durante una instalación.

▲ PRECAUCIÓN

indica una situación en la que se pueden sufrir heridas leves o provocar daños secundarios al producto si no se siguen las instrucciones.

▲ ADVERTENCIA

indica peligro de que se produzcan heridas personales graves o incluso puede provocar la muerte si no se siguen las precauciones especificadas.

Otro tipo de anotación que es importante resaltar es la que se incluye en **NOTA IMPORTANTE**: En esta nota se resalta la información que resulta especialmente importante para que la instalación se realice sin problemas.

REQUISITOS DE **INSTALACIÓN****⚠ ADVERTENCIA**

Este aparato debe instalarse de acuerdo con las normativas vigentes y sólo puede ser utilizado en un lugar que esté bien ventilado. Lea las instrucciones antes de instalar o utilizar este aparato.

NOTA IMPORTANTE:

- La instalación y el mantenimiento deben ser realizados por un instalador cualificado, por un centro de asistencia técnica o por el proveedor de gas.
- No almacene ni utilice gasolina ni otros vapores ni líquidos inflamables cerca de éste o de otros aparatos.
- La utilización de un aparato de cocción de gas produce calor y vaho en la habitación en la que está instalado. Asegúrese que la cocina está bien ventilada; mantenga despejados los agujeros de ventilación natural o instale un dispositivo de ventilación mecánico (campana extractora mecánica).
- Si utiliza mucho el aparato y lo hace de manera prolongada, es posible que necesite ventilación adicional, por ejemplo, puede abrir una ventana, o si quiere que la ventilación sea más eficaz, aumente el nivel de la ventilación mecánica, si dispone de ella.

QUÉ SE DEBE HACER SI HUELE A GAS:

- No encienda ningún aparato.
- No toque ningún interruptor eléctrico.
- No utilice ningún teléfono dentro del edificio.
- Llame inmediatamente a su proveedor de gas desde el teléfono de un vecino. Siga las instrucciones que le proporcione el proveedor de gas.
- Si no le es posible ponerse en contacto con el proveedor de gas, llame a los bomberos.



INFORMACIÓN DE LA PLACA DE DATOS

Referencia del modelo

Número de serie

REQUISITOS DE **INSTALACIÓN**

NOTA IMPORTANTE: Esta instalación debe ser realizada por un instalador cualificado, por un centro de asistencia técnica o por el proveedor de gas.

NOTA IMPORTANTE: Guarde estas instrucciones de instalación para que el inspector local pueda utilizarlas.

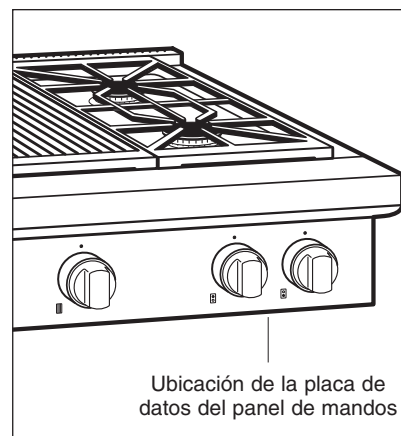
- Lea las instrucciones de instalación antes de llevar a cabo la instalación.
- **Instalador:** guarde estas instrucciones para que el inspector local pueda utilizarlas como referencia y, a continuación, entréguelas al propietario del aparato.
- **Propietario:** lea y guarde estas instrucciones para que pueda utilizarlas como referencia en el futuro y asegúrese de leer la guía de uso y mantenimiento antes de utilizar el aparato.

NOTA IMPORTANTE: Este aparato debe instalarse siguiendo las normativas nacionales correspondientes. Se debe aplicar al aparato el voltaje, la frecuencia y el amperaje adecuados desde una instalación eléctrica resistente con toma de tierra protegida por un fusible de retardo. El voltaje, la frecuencia y el amperaje se muestran en la placa de datos del producto.

Apunte la referencia del modelo y el número de serie antes de instalar la encimera de cocción con quemadores herméticos. Esta información se muestra en la placa de datos del producto situada en la parte inferior de la encimera de cocción con quemadores herméticos. Observe la siguiente ilustración.

ANTES DE COMENZAR

- Es responsabilidad del propietario asegurarse de que la instalación se realiza de manera correcta. Esta encimera de cocción con quemadores herméticos debe ser instalada por un técnico cualificado. Debe asegurarse de que la instalación eléctrica es la correcta y que cumple todos los códigos y normativas nacionales.
- Antes de llevar a cabo la instalación, asegúrese de que las condiciones de distribución locales (tipo y presión del gas) y el ajuste del aparato son compatibles.
- Debe disponer de una entrada de suministro de gas; consulte la sección Requisitos del suministro de gas en la página 26. También debe disponer de una conexión eléctrica a tierra; consulte la sección Requisitos eléctricos en la página 29.
- Las condiciones de ajuste de este aparato se especifican en la etiqueta (o en la placa de datos del producto). La placa de datos está ubicada en la parte inferior de la encimera de cocción con quemadores herméticos.



Ubicación de la placa de datos

**ANTES** DE COMENZAR

- Inspeccione el lugar en el que va a instalar la encimera de cocción con quemadores herméticos. El lugar en el que va a instalarla debe estar alejado de áreas en las que pueda haber corrientes fuertes, por ejemplo, ventanas, puertas y salidas de aire caliente o ventiladores. No debe obstruir el flujo de aire. El área en la que vaya a instalar este aparato debe tener un suministro de aire fresco adecuado para estar seguro de que la combustión y la ventilación son las correctas.
- Este aparato no está conectado a ningún dispositivo de evacuación de productos de combustión. El aparato debe ser instalado y conectado siguiendo las normativas de instalación vigentes. Debe prestar especial atención a los requisitos importantes correspondientes a la ventilación.
- Todas las aperturas de la pared en las que se va a instalar la encimera deben estar selladas.

ESPECIFICACIONES DE
LA **INSTALACIÓN**

Las encimeras de cocción con quemadores herméticos se distribuyen en anchos de 762 mm, 914 mm y 1219 mm. Las ilustraciones que se muestran en las páginas 23–25 proporcionan las medidas totales y las especificaciones de la instalación correspondientes a cada una de las medidas de la encimera de cocción a gas con quemadores herméticos.

Cada una de las encimeras de cocción está diseñada para que encaje entre los armarios siguiendo la distancia especificada por la unidad. Por ejemplo, una encimera de cocción de 914 mm se adaptará a una apertura de 914 mm.

NOTA IMPORTANTE: Se deben utilizar las medidas de apertura del armario que se muestran en las ilustraciones Especificaciones de la instalación. Estas medidas mantienen los espacios requeridos.

NOTA IMPORTANTE: Ubique la conexión eléctrica dentro de las medidas que se muestran en las ilustraciones de Especificaciones de la instalación.

Consulte la ilustración Especificaciones de la instalación correspondiente a su modelo en las páginas 23–25 para obtener las medidas exactas de las cavidades acabadas y la ubicación de la toma eléctrica y de gas.



ESPACIOS MÍNIMOS

NOTA IMPORTANTE: Debe tener cuidado al planificar la instalación de la encimera de cocción con quemadores herméticos de Wolf para evitar que se produzcan incendios en los armarios contiguos o en el equipamiento de cocina. Asegúrese de que se dejan los espacios mínimos necesarios que se especifican en las medidas de las cavidades acabadas.

Consulte la ilustración Especificaciones de la instalación correspondientes a su modelo en las páginas 23–25 para obtener las medidas exactas de las cavidades acabadas.

INSTALACIONES EN PARED

Distancias mínimas a superficies combustibles:

- Distancia mínima de 457 mm desde la parte inferior del armario superior hasta la encimera, con una distancia lateral mínima de 152 mm.
- El espacio mínimo entre los armarios laterales superiores debe ser igual o superior al ancho nominal de la encimera de cocción. El fondo máximo de los armarios superiores y laterales es de 330 mm con una distancia lateral de 152 mm.
- Distancia de 0 mm a los materiales combustibles contiguos situados debajo de la encimera, a ambos lados y en la parte trasera.
- La parte inferior de la campana extractora debe mantener una distancia de 762 mm a 914 mm máximo desde la encimera.

Distancias mínimas para encimeras de cocción a gas con quemadores herméticos sin campana extractora:

- Modelo ICBSRT304: distancia vertical mínima de 762 mm desde la encimera hasta los materiales combustibles situados por encima de la encimera.

Resto de encimeras de cocción a gas con quemadores herméticos:

- Modelos con quemadores de superficie o placa (G): distancia vertical mínima de 914 mm desde la encimera a los materiales combustibles situados por encima de la encimera de cocción a gas.
- Modelos con parrilla (C): distancia vertical mínima de 1118 mm desde la encimera hasta los materiales combustibles situados por encima de la encimera de cocción.

INSTALACIONES EN ISLA | EN PENÍNSULA

Distancias mínimas a superficies combustibles:

- Instalaciones en isla: Distancia mínima de 305 mm a pared trasera que se eleva por encima de la encimera.
- Instalaciones en península: Distancia mínima de 152 mm a paredes laterales y distancia mínima de 305 mm a pared trasera que sobresale por encima de la encimera.

Consulte la ilustración Especificaciones de la instalación correspondiente a su modelo en las páginas 23–25 para obtener las medidas exactas de las cavidades acabadas.

⚠ ADVERTENCIA

Si no coloca la encimera de cocción siguiendo las distancias de separación correctas, es posible que se produzca un incendio.

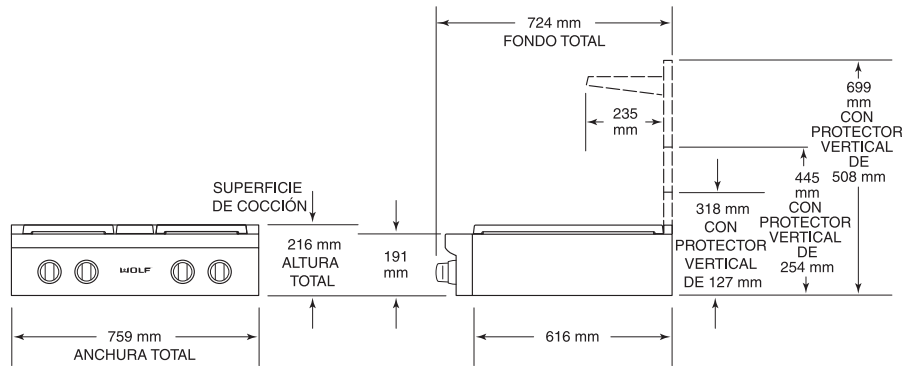
REQUISITOS DEL PROTECTOR VERTICAL

Instalaciones frente a una superficie combustible:

- Modelo ICBSRT304: No existen requisitos para el protector vertical.
- Encimera de cocción a gas de 914 mm con quemadores herméticos: Es necesario utilizar un protector vertical de 254 mm cuando instale modelos con parrilla (C) o placa (G) frente a una superficie combustible.
- Encimera de cocción a gas de 1219 mm con quemadores herméticos: Es necesario utilizar un protector vertical de 254 mm cuando instale modelos con parrilla (C) o placa (G) frente a una superficie combustible.



ENCIMERAS DE COCCIÓN A GAS CON QUEMADORES HERMÉTICOS DE **762 mm**

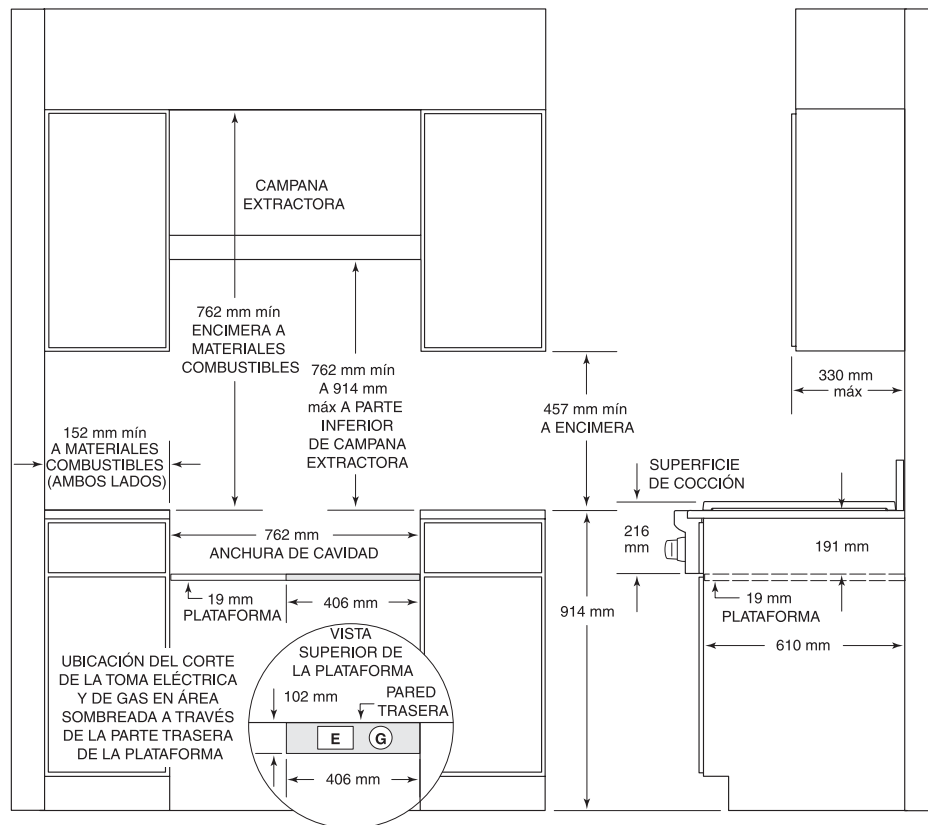


MEDIDAS TOTALES

Anchura total	759 mm
Altura total (a superficie de cocción)	216 mm
Fondo total	724 mm
Anchura de la cavidad	762 mm

Las medidas pueden variar ±3 mm.

ESPECIFICACIONES DE LA INSTALACIÓN



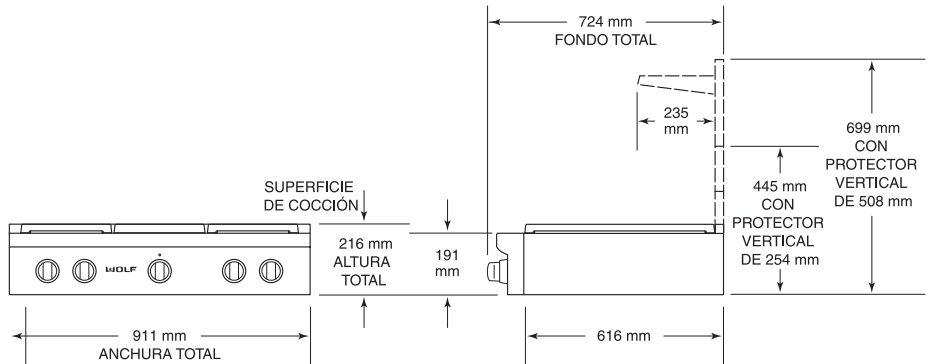
INSTALACIONES EN ISLA:
 305 mm ESPACIO MÍNIMO DESDE PARTE TRASERA DE ENCIMERA DE COCCIÓN A PARED TRASERA COMBUSTIBLE POR ENCIMA DE ENCIMERA - 0 mín A MATERIALES NO COMBUSTIBLES



ENCIMERAS DE COCCIÓN A GAS CON QUEMADORES HERMÉTICOS DE 914 mm

MEDIDAS TOTALES

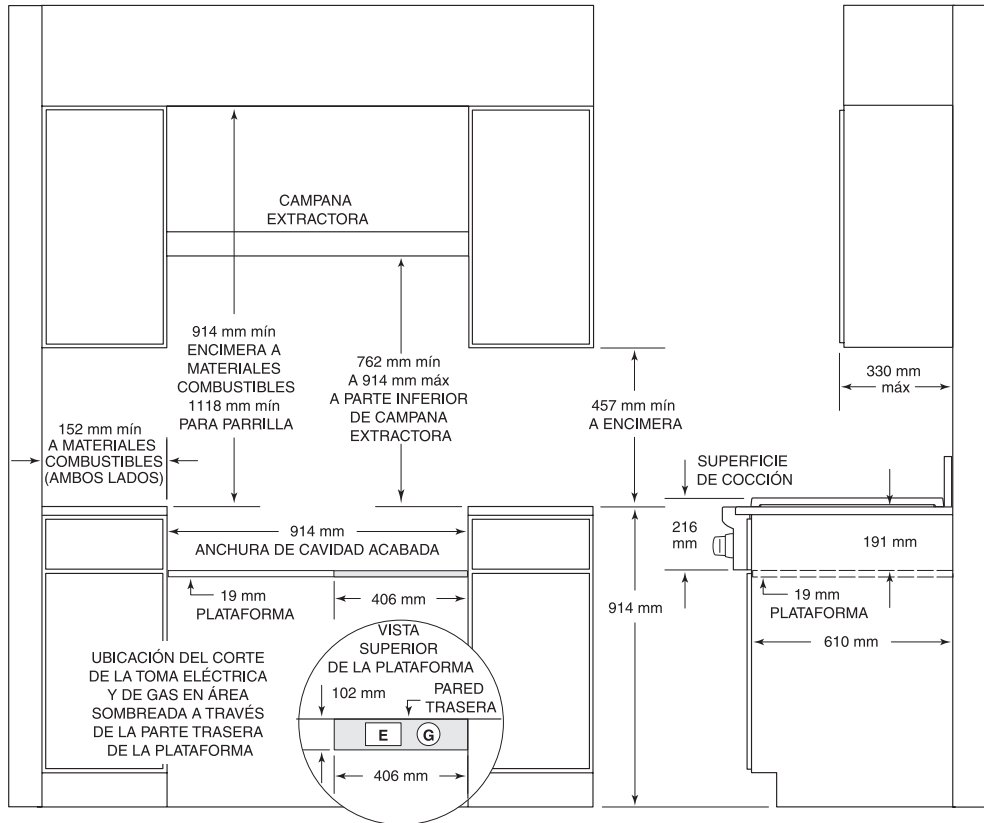
Anchura total	911 mm
Altura total (a superficie de cocción)	216 mm
Fondo total	724 mm
Anchura de la cavidad	914 mm



Las medidas de la unidad pueden variar ± 3 mm.

ESPECIFICACIONES DE LA INSTALACIÓN

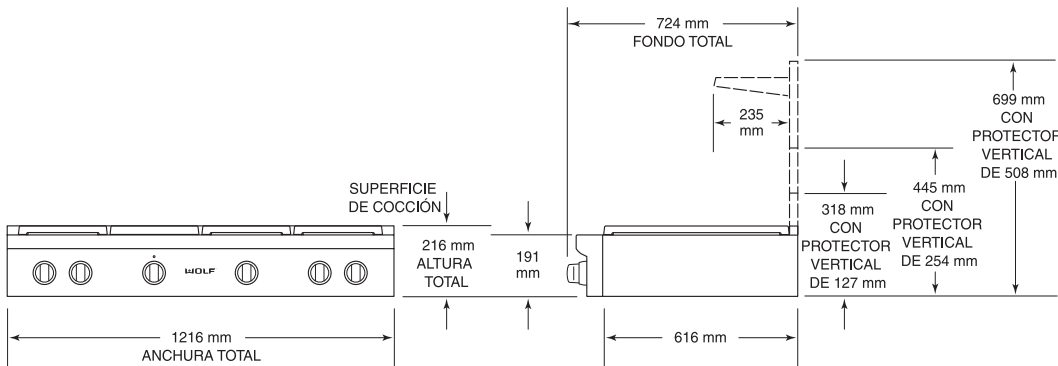
NOTA IMPORTANTE:
Es necesario utilizar un protector vertical de 254 mm cuando instale modelos con parrilla (C) o placa (G) frente a una superficie combustible.



INSTALACIONES EN ISLA:
305 mm ESPACIO MÍNIMO DESDE PARTE TRASERA DE ENCIMERA DE COCCIÓN A PARED TRASERA COMBUSTIBLE POR ENCIMA DE ENCIMERA - 0 mín A MATERIALES NO COMBUSTIBLES



ENCIMERAS DE COCCIÓN A GAS CON QUEMADORES HERMÉTICOS DE **1219 mm**

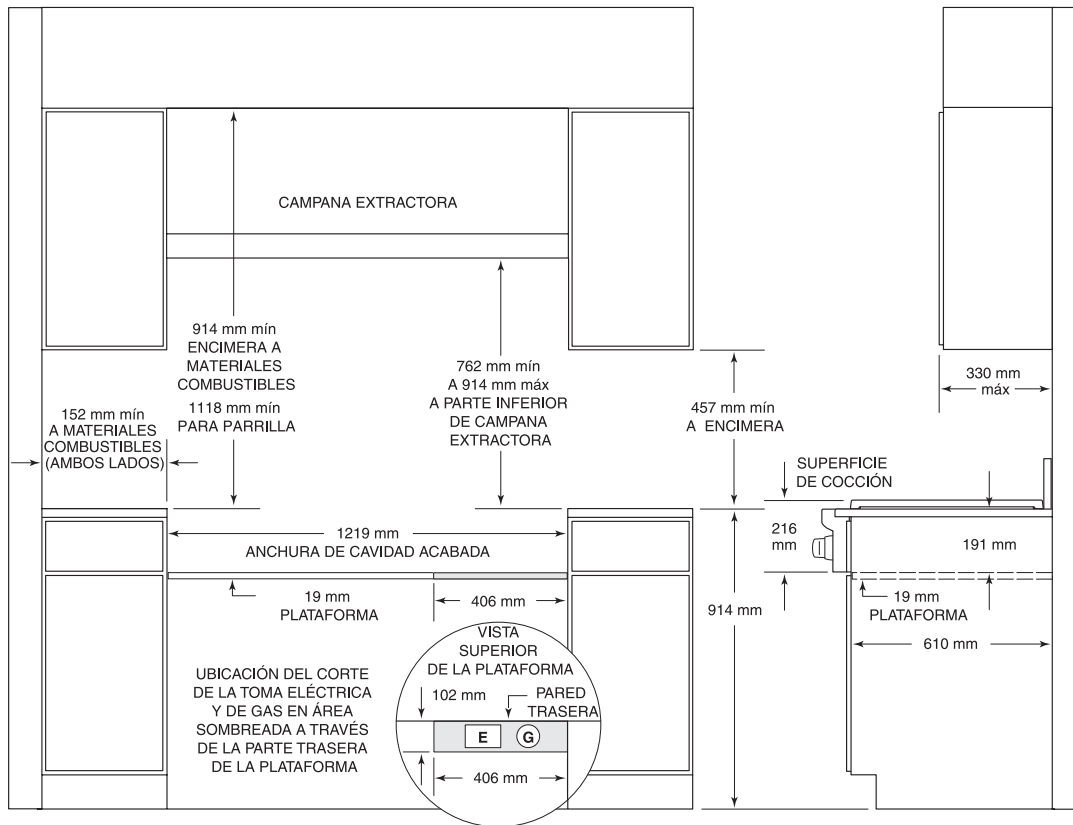


MEDIDAS TOTALES

Anchura total	1216 mm
Altura total (a superficie de cocción)	216 mm
Fondo total	724 mm
Anchura de la cavidad	1219 mm

Las medidas pueden variar ±3 mm.

ESPECIFICACIONES DE LA INSTALACIÓN



NOTA IMPORTANTE:
Para encimeras de cocción a gas de 1219 mm con quemadores herméticos, es necesario utilizar un protector vertical de 254 mm cuando instale modelos con parrilla (C) o placa (G) frente a una superficie combustible.

INSTALACIONES EN ISLA:
305 mm ESPACIO MÍNIMO DESDE PARTE TRASERA DE ENCIMERA DE COCCIÓN A PARED TRASERA COMBUSTIBLE POR ENCIMA DE ENCIMERA - 0 mín A MATERIALES NO COMBUSTIBLES



INSTALACIÓN DE LA ENCIMERA DE COCCIÓN A GAS

Prepare la cavidad acabada en la que va a colocar la encimera de cocción siguiendo la ilustración Especificaciones de la instalación correspondiente a su modelo en las páginas 23–25. La plataforma debe tener un grosor de 19 mm y debe incluir un corte en la parte trasera derecha para las conexiones eléctricas y de gas.

NOTA IMPORTANTE: La plataforma debe estar nivelada para asegurarse de que la superficie de cocción queda nivelada.

Quite y tire todo el material de embalaje incluyendo el embalaje de cartón y la cinta que envuelve la parte exterior de la encimera de cocción. Quite las rejillas de los quemadores y la espuma de poliestireno de la superficie de cocción superior. Asegúrese de quitar los cabezales del quemador envueltos en espuma de poliestireno debajo de las rejillas del quemador.

Si su instalación requiere un protector vertical, éste debe ir sujeto a la encimera de cocción antes de realizar la instalación. Consulte las instrucciones de instalación que se incluyen con el protector.

Coloque la encimera de cocción en la plataforma. Las conexiones eléctricas y las del suministro de gas deben instalarse antes de colocar la encimera de cocción en la posición definitiva.

NOTA IMPORTANTE:

Esta instalación debe cumplir las ordenanzas y normativas nacionales.

REQUISITOS DEL SUMINISTRO DE GAS

⚠ ADVERTENCIA

PELIGRO DE EXPLOSIÓN—

Apriete de manera segura todas las conexiones de gas externas.

Si no lo hace, es posible que se produzca una explosión, un incendio o incluso la muerte.

NOTA IMPORTANTE: La encimera de cocción a gas con quemadores herméticos debe conectarse a un suministro de gas regulado.

NOTA IMPORTANTE: Esta instalación debe cumplir las ordenanzas y normativas nacionales.

La placa de datos, situada en la parte inferior de la cámara de combustión, incluye información sobre el tipo de gas que debe utilizar. Si esta información no coincide con el tipo de gas que tiene disponible, póngase en contacto con su proveedor de gas.

Todas las unidades incluyen una rosca de entrada según ISO 7-1. Póngase en contacto con su distribuidor de Wolf en el caso de que se requiera una rosca de entrada según ISO 228-1 u otra diferente. Debe utilizar una pasta de recubrimiento para tuberías que sea adecuada para que se pueda utilizar con gas LP. Los proveedores de gas LP normalmente determinan el tamaño y los materiales que se utilizan en el sistema.

Si la normativa nacional lo permite, se recomienda utilizar un conector metálico flexible para conectar la encimera de cocción al suministro de gas. Tenga cuidado de no dañar ni doblar el conector flexible cuando mueva la encimera de cocción a gas. Deberá determinar las conexiones que son necesarias dependiendo del tamaño de la línea de gas, del conector flexible de metal y de la válvula de cierre.

Si utiliza un tubo rígido como línea de suministro, debe utilizar una combinación de empalmes de tubos para obtener una conexión en línea con la encimera de cocción. Debe eliminar todas las deformaciones en las líneas del suministro de gas para que la encimera de cocción quede nivelada y en línea.

SUMINISTRO DE **GAS**

Modelo	Salida de calor total (Gas)	Unidades de gas	Potencia eléctrica (Amperios)	Categoría del aparato	Tipos y presiones (mbar)	País de destino
ICBSRT304	16,6	kW	0,17	I2H	G20 a 20	AT, DK, EE, FI, GR, IE, IT, LT, NO, PT, ES, SE, SI, SK, GB, CH
				I2E	G20 a 20	DE, PL
				I2E+	G20 a 20/25	BE, FR
ICBSRT304-LP	1037	g/h	0,17	I3P	G31 a 37	BE, CZ, FR, GR, IE, NL, NO, PT, ES, GB, CH
ICBSRT364C	22,4	kW	0,17	I2H	G20 a 20	AT, DK, EE, FI, GR, IE, IT, LT, NO, PT, ES, SE, SI, SK, GB, CH
				I2E	G20 a 20	DE, PL
				I2E+	G20 a 20/25	BE, FR
ICBSRT364C-LP	1415	g/h	0,17	I3P	G31 a 37	BE, CZ, FR, GR, IE, NL, NO, PT, ES, GB, CH
ICBSRT364G	22,1	kW	0,17	I2H	G20 a 20	AT, DK, EE, FI, GR, IE, IT, LT, NO, PT, ES, SE, SI, SK, GB, CH
				I2E	G20 a 20	DE, PL
				I2E+	G20 a 20/25	BE, FR
ICBSRT364G-LP	1373	g/h	0,17	I3P	G31 a 37	BE, CZ, FR, GR, IE, NL, NO, PT, ES, GB, CH
ICBSRT486C	31,6	kW	0,17	I2H	G20 a 20	AT, DK, EE, FI, GR, IE, IT, LT, NO, PT, ES, SE, SI, SK, GB, CH
				I2E	G20 a 20	DE, PL
				I2E+	G20 a 20/25	BE, FR
ICBSRT486C-LP	1987	g/h	0,17	I3P	G31 a 37	BE, CZ, FR, GR, IE, NL, NO, PT, ES, GB, CH
ICBSRT486G	31,3	kW	0,17	I2H	G20 a 20	AT, DK, EE, FI, GR, IE, IT, LT, NO, PT, ES, SE, SI, SK, GB, CH
				I2E	G20 a 20	DE, PL
				I2E+	G20 a 20/25	BE, FR
ICBSRT486G-LP	1945	g/h	0,17	I3P	G31 a 37	BE, CZ, FR, GR, IE, NL, NO, PT, ES, GB, CH
ICBSRT484CG	27,9	kW	0,17	I2H	G20 a 20	AT, DK, EE, FI, GR, IE, IT, LT, NO, PT, ES, SE, SI, SK, GB, CH
				I2E	G20 a 20	DE, PL
				I2E+	G20 a 20/25	BE, FR
ICBSRT484CG-LP	1751	g/h	0,17	I3P	G31 a 37	BE, CZ, FR, GR, IE, NL, NO, PT, ES, GB, CH
ICBSRT484F	21,2	kW	0,17	I2H	G20 a 20	AT, DK, EE, FI, GR, IE, IT, LT, NO, PT, ES, SE, SI, SK, GB, CH
				I2E	G20 a 20	DE, PL
				I2E+	G20 a 20/25	BE, FR
ICBSRT484F-LP	1323	g/h	0,17	I3P	G31 a 37	BE, CZ, FR, GR, IE, NL, NO, PT, ES, GB, CH



REQUISITOS DEL **SUMINISTRO DE GAS**

PRUEBA DE FUGA DE GAS

Utilice un cepillo y detergente líquido para comprobar si las conexiones de gas presentan fugas. Si aparecen burbujas alrededor de las conexiones significa que existe una fuga. Si aparece una fuga, apague la válvula de cierre de gas y ajuste las conexiones. A continuación, compruebe las conexiones de nuevo. Limpie los restos de detergente que hayan quedado en la encimera de cocción a gas.

⚠ ADVERTENCIA

No compruebe nunca si existe una fuga de gas utilizando una cerilla o cualquier otro tipo de llama.

REQUISITOS **ELÉCTRICOS****⚠ ADVERTENCIA****PELIGRO DE DESCARGA ELÉCTRICA—**

Enchufe el aparato a un adaptador de 3 clavijas conectado a tierra.

No quite la clavija de conexión a tierra.

No utilice un adaptador.

Si no sigue estas instrucciones, existe riesgo de que se produzca un incendio, una descarga eléctrica o incluso puede provocar la muerte.

NOTA IMPORTANTE: Si las normativas lo permiten y utiliza un cable de conexión a tierra independiente, se recomienda que un electricista cualificado determine si la trayectoria a tierra es la adecuada.

NOTA IMPORTANTE: Si no está seguro de si la encimera de cocción a gas con quemadores herméticos está conectada a tierra de manera segura, pida a un electricista que lo compruebe.

NOTA IMPORTANTE: No conecte a tierra a una tubería de gas.

Es necesario que la potencia eléctrica sea de 220-240 VCA, 50/60 Hz con fusible. Se recomienda utilizar un cortacircuitos o fusible. Se recomienda disponer de un circuito independiente que preste servicio sólo a este aparato.

Los sistemas de encendido electrónico funcionan dentro de unos límites de voltaje amplios; sin embargo es necesario que la conexión a tierra y la polaridad sean los adecuados. Además de comprobar que la toma suministra una potencia de 220-240 VCA y asegurarse de que está conectada a tierra de manera correcta, un electricista cualificado debe inspeccionar la toma para comprobar si está conectada con la polaridad correcta.

Este aparato, cuando esté instalado, debe estar conectado a tierra eléctricamente siguiendo las normativas nacionales correspondientes.

MÉTODO DE CONEXIÓN A TIERRA RECOMENDADO

NOTA IMPORTANTE: Por su seguridad personal, esta encimera de cocción a gas con quemadores herméticos debe estar conectada a tierra. Esta encimera de cocción a gas con quemadores herméticos viene equipada con un enchufe de toma a tierra de 3 clavijas. Para reducir el riesgo de sufrir posibles descargas eléctricas, el cable debe estar enchufado a una toma de tres clavijas con conexión a tierra, conectada a tierra de acuerdo a los códigos y normativas nacionales. Si no dispone de una toma de corriente, el cliente debe solicitar a un electricista cualificado que instale una toma de 3 clavijas que esté conectada a tierra de manera correcta.

NOTA IMPORTANTE: Si el producto está conectado a una toma protegida con un GFCI (interruptor del circuito de fallos de conexión a tierra), es posible que se produzca un corte de luz por lo que el aparato dejará de funcionar.

CUADRO DE CONEXIONES

El cuadro de conexiones del circuito eléctrico está situado en la pared interior izquierda de la encimera de cocción.



QUEMADORES DE SUPERFICIE

ENCENDIDO INICIAL

Los quemadores de superficie utilizan encendedores electrónicos en lugar de pilotos permanentes. Cuando pulse el mando de la encimera de cocción con quemadores herméticos y lo gire hasta la posición 🔥, el sistema produce una chispa que enciende el quemador. Esta chispa se mantiene hasta que el encendido electrónico detecta una llama. Si el quemador no se enciende en 10 segundos, coloque de nuevo el mando en la posición ○ e intente encenderlo girando el mando de nuevo hasta la posición 🔥.

Asegúrese de colocar los cabezales en cada una de las bases de los quemadores y coloque las rejillas de los quemadores sobre las bases y los cabezales de los quemadores antes de encenderlos.

Para comprobar que los quemadores de superficie funcionan, presione los mandos y gírelos hasta la posición 🔥. La llama debería prenderse en cuatro segundos.

Si los quemadores no se encienden de manera correcta, gire el mando hasta la posición ○. Compruebe que los cabezales del quemador están colocados de manera correcta. Compruebe que el cable eléctrico está conectado y que el cortacircuitos o fusible no están fundidos. Vuelva a comprobar si los quemadores funcionan; si no se encienden de manera correcta, póngase en contacto con un centro de asistencia técnica autorizado de Wolf.

NOTA IMPORTANTE: Es posible que la primera vez que enciendan los quemadores de superficie tarden más tiempo en encenderse ya que el aire del sistema debe purgarse antes para que el gas pueda llegar al quemador.

EXTRACCIÓN DE LA ENCIMERA DE COCCIÓN CON QUEMADORES HERMÉTICOS

Si necesita extraer la encimera de cocción a gas con quemadores herméticos para limpiarla o para realizar alguna tarea de mantenimiento, cierre el suministro de gas. Cierre el gas y desconecte el suministro eléctrico. Quite los soportes de montaje situados en los laterales derecho e izquierdo de la cámara de combustión y extraiga la encimera de cocción a gas con quemadores herméticos. Vuelva a instalarla en orden invertido y compruebe si existe alguna fuga en la conexión de gas.

SOLUCIÓN DE PROBLEMAS

NOTA IMPORTANTE: Si la encimera de cocción a gas con quemadores herméticos no funciona correctamente, siga estos pasos de localización y solución de problemas:

- Compruebe que la encimera de cocción a gas está conectada a la red eléctrica.
- Compruebe que las válvulas de gas están en la posición ON.
- Compruebe el suministro de gas y las conexiones eléctricas para asegurarse de que la instalación se ha llevado a cabo de manera correcta.
- Realice los procedimientos de solución de problemas tal y como se describe en la guía de uso y mantenimiento de la encimera de cocción a gas de Wolf.
- Si la encimera de cocción a gas sigue sin funcionar, póngase en contacto con un centro de asistencia técnica autorizado de Wolf. No intente realizar usted mismo ninguna reparación en la encimera de cocción a gas. Wolf no se hace responsable de las tareas de mantenimiento que deban realizarse para corregir una instalación defectuosa.



SI NECESITA **ASISTENCIA TÉCNICA**

- Para buscar el servicio técnico más cercano, póngase en contacto con su distribuidor de Wolf o visite la página Web, www.sub-zero.eu.com, para buscar el distribuidor más cercano.
- Cuando solicite asistencia técnica, deberá tener localizado el número de serie y el modelo de la encimera de cocción a gas con quemadores herméticos. Esta información se muestra en la placa de datos del producto situada en la parte inferior de la encimera de cocción con quemadores herméticos. Consulte la ilustración de la página 20 para ubicar la placa de datos.

INFORMACIÓN
DE CONTACTO

Página Web:
www.sub-zero.eu.com

La información y las imágenes que se incluyen en esta guía son propiedad de Wolf Appliance, Inc., una filial de Sub-Zero, Inc. Este documento junto con la información y las imágenes que en él se incluyen no pueden copiarse ni utilizarse, total ni parcialmente, sin el consentimiento por escrito de Wolf Appliance, Inc., una filial de Sub-Zero, Inc.

©Wolf Appliance, Inc. se reserva todos los derechos.



WOLF[®]

CONTACT

Site Internet :
wolfappliance.com

Vous remarquerez tout au long de ce manuel d'instructions les mentions **AVERTISSEMENT** et **ATTENTION**, destinées à fournir des recommandations importantes afin d'assurer la sécurité et l'efficacité de l'installation de l'équipement Wolf. Deux types de dangers potentiels peuvent se présenter pendant l'installation.

▲ ATTENTION

signale un danger qui pourrait causer une blessure mineure ou endommager le produit si vous ne suivez pas les instructions.

▲ AVERTISSEMENT

signale un danger qui pourrait causer des blessures graves voire fatales si vous ne prenez pas certaines précautions.

De plus, la mention **REMARQUE IMPORTANTE** met l'accent sur un renseignement particulièrement important pour assurer une installation parfaite.



EXIGENCES RELATIVES A **L'INSTALLATION**

⚠ AVERTISSEMENT

Cet appareil ménager doit être installé conformément aux règlements en vigueur et utilisé uniquement dans un endroit bien ventilé. Lisez toutes les instructions avant d'installer ou d'utiliser cet appareil.

REMARQUE IMPORTANTE :

- L'installation et l'entretien doivent être exécutés par un poseur qualifié, une antenne technique ou un fournisseur de gaz.
- N'entreposez pas ou n'utilisez pas d'essence ou autres produits ou liquides inflammables à proximité de cet appareil ou de tout autre appareil ménager.
- L'utilisation d'un appareil de cuisson au gaz produit de la chaleur et de l'humidité dans la pièce où il est installé. Assurez-vous que la cuisine est bien ventilée ; maintenez les ouvertures de ventilation naturelle ouvertes ou installez un appareil de ventilation mécanique Wolf (hotte d'extraction mécanique).
- L'utilisation intensive et prolongée de l'appareil peut exiger une ventilation supplémentaire, par exemple l'ouverture d'une fenêtre, ou d'une ventilation plus efficace, notamment l'augmentation de la puissance de la ventilation mécanique, le cas échéant.

CE QUE VOUS DEVEZ FAIRE SI VOUS PERCEVEZ UNE ODEUR DE GAZ :

- Ne mettez en marche aucun appareil ménager.
- Ne touchez à aucun interrupteur électrique.
- N'utilisez aucun téléphone de votre immeuble.
- Téléphonnez immédiatement à votre fournisseur de gaz de chez un voisin. Suivez les instructions du fournisseur de gaz.
- Si vous ne pouvez pas joindre votre fournisseur de gaz, contactez le service incendie.



EXIGENCES RELATIVES

A L'INSTALLATION

REMARQUE IMPORTANTE : L'installation doit être effectuée par un poseur qualifié, une antenne technique ou un fournisseur de gaz.

REMARQUE IMPORTANTE : Conservez ces instructions d'installation pour le technicien local.

- Veuillez lire les instructions d'installation dans leur intégralité avant de procéder à l'installation.
- **Poseur :** Veuillez conserver ces instructions afin que le technicien puisse s'y reporter, puis laissez-les au propriétaire.
- **Propriétaire :** Veuillez lire et garder ces instructions pour pouvoir vous y reporter ultérieurement et assurez-vous de lire le Guide d'utilisation et d'entretien dans son intégralité avant d'utiliser votre appareil.

REMARQUE IMPORTANTE : Cet appareil ménager doit être installé conformément aux codes locaux. La tension, la fréquence et l'ampérage appropriés doivent être fournis à cet appareil à partir d'un disjoncteur ou un fusible à fusion temporisée adapté à l'intensité de courant requise. La tension, la fréquence et l'ampérage requis sont indiqués sur la plaque des caractéristiques du produit.

Consignez les numéros de modèle et de série avant d'installer l'entablement à brûleurs étanches. Ces deux numéros figurent sur la plaque des caractéristiques du produit située sur le dessous de l'entablement à brûleurs étanches. Reportez-vous à l'illustration ci-après.

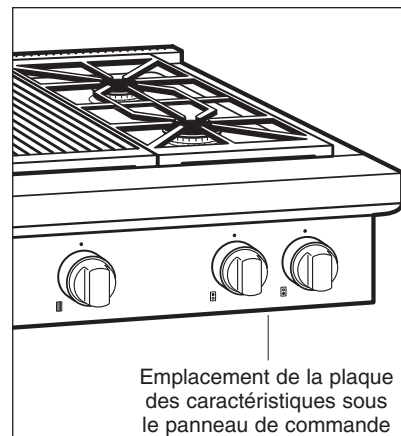
AVANT DE COMMENCER

- L'installation correcte de votre appareil vous incombe. Demandez à un poseur qualifié d'installer cet entablement à brûleurs étanches. Vous devez également vous assurer que l'installation électrique est adéquate et conforme à tous les codes et ordonnances locaux.
- Avant l'installation, assurez-vous que l'appareil ménager est réglé conformément aux conditions de distribution locales (nature et pression du gaz).
- Un raccordement d'alimentation en gaz approprié doit être disponible ; reportez-vous à la rubrique Configuration de l'alimentation en gaz, page 40. De plus, une mise à la terre électrique est également requise ; reportez-vous à la rubrique Configuration électrique, page 43.
- Les conditions de réglage de cet appareil ménager sont indiquées sur l'étiquette (ou plaque des caractéristiques). La plaque des caractéristiques se trouve sur le dessous de l'entablement à brûleurs étanches.

INFORMATIONS
FIGURANT
SUR LA PLAQUE DES
CARACTERISTIQUES

Numéro de modèle

Numéro de série



Emplacement de la plaque des caractéristiques

**AVANT** DE COMMENCER

- Vérifiez l'endroit où l'entablement à brûleurs étanches sera installé. Il devrait être à l'abri des forts courants d'air et à l'écart des fenêtres, des portes et des puissants tuyaux de chauffage ou ventilateurs. N'entravez pas le passage de l'écoulement de l'air. L'endroit dans lequel vous installez cet appareil ménager doit être correctement alimenté en air frais afin d'assurer une combustion et une ventilation adéquates.
- Cet appareil n'est pas branché à un dispositif d'évacuation de produits de combustion. L'appareil doit être installé et branché conformément aux règlements d'installation actuellement en vigueur. Les exigences pertinentes relatives à la ventilation doivent être rigoureusement observées.
- Toutes les ouvertures ménagées dans le mur contre lequel l'entablement à brûleurs étanches sera installé doivent être bouchées.

SPECIFICATIONS **D'INSTALLATION**

Les entablements à brûleurs étanches Wolf sont offerts dans des largeurs de 762 mm, de 914 mm et de 1 219 mm. Les illustrations figurant pages 37 à 39 fournissent les dimensions hors tout ainsi que les précisions sur l'installation pour chaque largeur de modèle.

Chaque entablement est conçu pour s'insérer entre les éléments de cuisine espacés selon la distance qui a été établie pour le modèle. Par exemple, un entablement de 914 mm s'insérera dans une ouverture de 914 mm.

REMARQUE IMPORTANTE : Vous devez utiliser les dimensions d'ouverture prévues pour les éléments de cuisine et fournies dans les illustrations Spécifications d'installation. Ces dimensions précisent les dégagements requis.

REMARQUE IMPORTANTE : Repérez l'emplacement de l'alimentation électrique dans la section des dimensions des illustrations Spécifications d'installation.

Reportez-vous à l'illustration Spécifications d'installation se rapportant à votre modèle, pages 37 – 39, afin de prendre connaissance des dimensions d'ouverture exactes et de l'emplacement de l'alimentation en gaz et en électricité.



DEGAGEMENTS **MINIMUMS**

REMARQUE IMPORTANTE : Lorsque vous planifiez l'installation d'un entablement à brûleurs étanches Wolf, vous devez prendre les précautions qui s'imposent pour éviter de causer des dégâts ou de mettre le feu aux meubles ou au matériel de cuisson adjacent. Assurez-vous de respecter les dégagements minimums qui ont été prévus lors de l'établissement des dimensions d'ouverture finie.

Reportez-vous à l'illustration Spécifications d'installation se rapportant à votre modèle, pages 37 – 39, afin de prendre connaissance des dimensions d'ouverture exactes.

INSTALLATIONS MURALES

Dégagements minimums des surfaces combustibles :

- La distance minimum de la base de l'élément de cuisine supérieur au plan de travail doit être de 457 mm, dans le dégagement minimum latéral de 152 mm.
- L'espacement minimum entre les éléments de cuisine latéraux supérieurs doit être supérieur ou égal à la largeur nominale de l'entablement. La profondeur maximum des éléments de cuisine supérieurs et latéraux doit être de 330 mm, dans le dégagement latéral de 152 mm .
- Sous le plan de travail, des deux côtés et à l'arrière, le dégagement par rapport aux matériaux combustibles doit être de 0 mm.
- Le bas de la hotte de ventilation doit être à une distance de 762 mm minimum à 914 mm maximum du plan de travail.

Dégagements minimums pour les entablements à brûleurs étanches sans hotte de ventilation :

- Modèle ICBSRT304 : la distance verticale minimum du plan de travail aux matériaux combustibles doit être de 762 mm au-dessus de l'entablement.

Pour tous les autres modèles d'entablements à brûleurs étanches :

- Modèles à brûleurs de surface ou à plaque à snacker (G) : la distance verticale minimum du plan de travail aux matériaux combustibles doit être de 914 mm au-dessus de l'entablement.
- Modèles à gril type charbon de bois (C) : la distance verticale minimum du plan de travail aux matériaux combustibles doit être de 1 118 mm au-dessus de l'entablement.

INSTALLATIONS EN ILOT | PENINSULE

Dégagements minimums des surfaces combustibles :

- Installations en îlot : le dégagement minimum jusqu'au mur arrière qui s'élève au-dessus du plan de travail doit être de 305 mm.
- Installations en péninsule : le dégagement minimum jusqu'aux murs latéraux doit être de 152 mm et de 305 mm jusqu'au mur arrière qui s'élève au-dessus du plan de travail.

Reportez-vous à l'illustration Spécifications d'installation se rapportant à votre modèle, pages 37 – 39, afin de prendre connaissance des dimensions d'ouverture exactes.

⚠ AVERTISSEMENT

Le non-respect des exigences de dégagement lors de la mise en place de l'entablement entraîne des risques d'incendie.

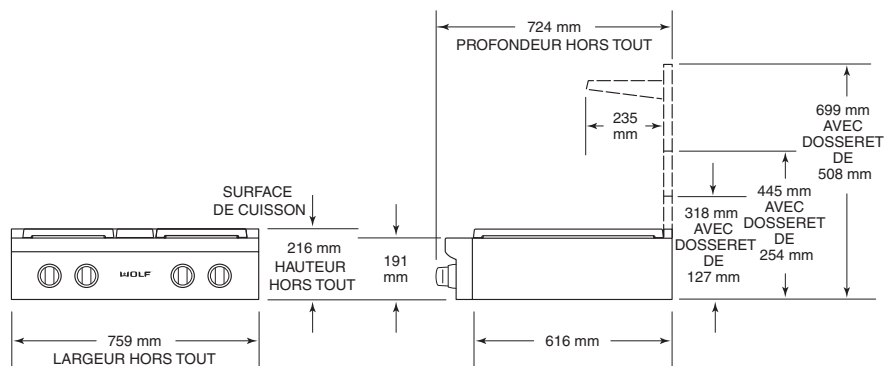
EXIGENCES RELATIVES AU DOSSERET

Installations contre une surface combustible :

- Modèle ICBSRT304 : aucun dossier n'est nécessaire.
- Entablements à brûleurs étanches de 914 mm : un dossier de 254 mm minimum est requis lors de l'installation de modèles à gril type charbon de bois (C) ou à plaque à snacker (G) contre une surface combustible.
- Entablements à brûleurs étanches de 1 219 mm : un dossier de 254 mm minimum est requis lors de l'installation de modèles à gril type charbon de bois (C) ou à plaque à snacker (G) contre une surface combustible.



762 mm ENTABLEMENT A BRULEURS ETANCHES

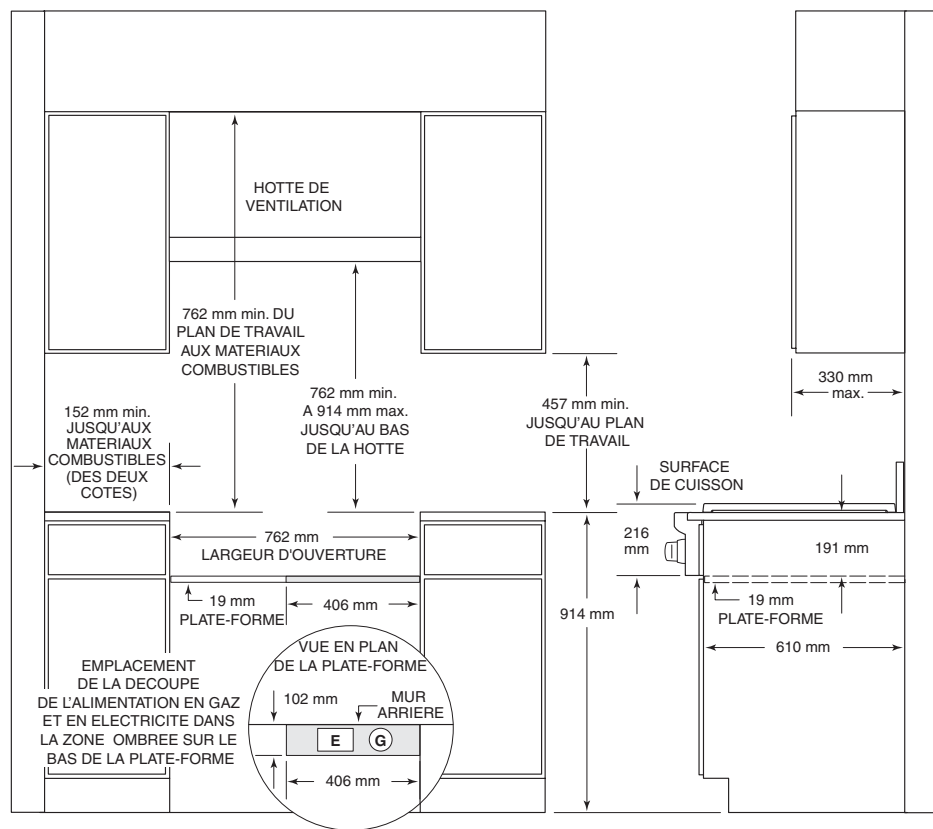


DIMENSIONS HORS TOUT

Largeur hors tout	759 mm
Hauteur hors tout (jusqu'à la surface de cuisson)	216 mm
Profondeur hors tout	724 mm
Largeur d'ouverture	762 mm

Les dimensions peuvent varier de ±3 mm.

SPECIFICATIONS D'INSTALLATION



INSTALLATIONS EN ILOT :
 305 mm DEGAGEMENT MINIMUM DE L'ARRIERE DE L'ENTABLEMENT AU MUR ARRIERE DES MATERIAUX COMBUSTIBLES AU-DESSUS DU PLAN DE TRAVAIL - 0 min JUSQU'AUX MATERIAUX NON COMBUSTIBLES

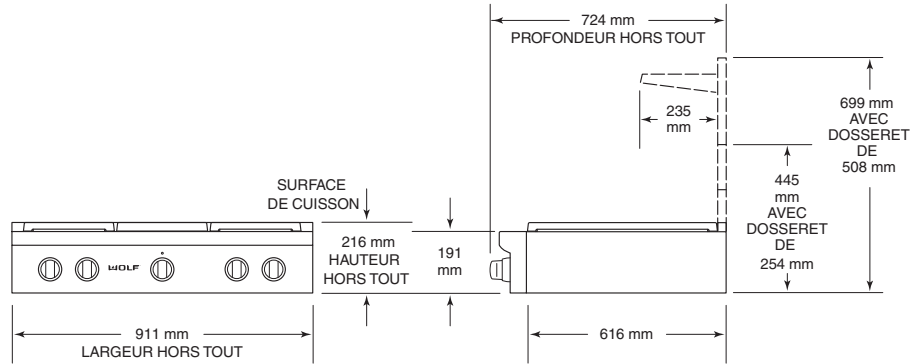


914 mm ENTABLEMENT A BRULEURS ETANCHES

DIMENSIONS HORS TOUT

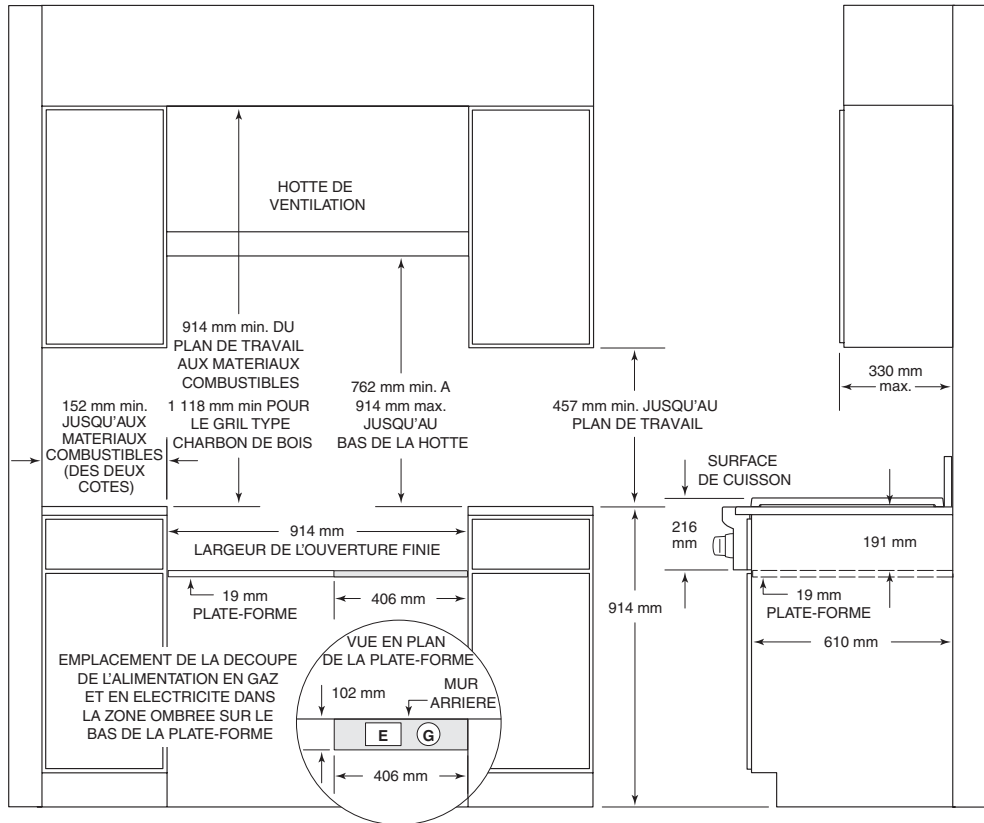
Largeur hors tout	911 mm
Hauteur hors tout (jusqu'à la surface de cuisson)	216 mm
Profondeur hors tout	724 mm
Largeur d'ouverture	914 mm

Les dimensions peuvent varier de ±3 mm.



SPECIFICATIONS D'INSTALLATION

REMARQUE IMPORTANTE :
Un dossier de 254 mm minimum est requis lors de l'installation de modèles à grill type charbon de bois (C) ou à plaque à snacker (G) contre une surface combustible.



INSTALLATIONS EN ILOT :
305 mm DEGAGEMENT MINIMUM DE L'ARRIERE DE L'ENTABLEMENT AU MUR ARRIERE DES MATERIAUX COMBUSTIBLES AU-DESSUS DU PLAN DE TRAVAIL - 0 min JUSQU' AUX MATERIAUX NON COMBUSTIBLES



INSTALLATION DE L'ENTABLEMENT

Préparez l'ouverture finie dans laquelle vous logerez l'entablement conformément aux indications fournies dans l'illustration. Spécifications d'installation se rapportant à votre modèle, pages 37 à 39. La plate-forme doit être de 19 mm d'épaisseur et comprendre une découpe dans la partie arrière droite pour les branchements électriques et à l'alimentation en gaz.

REMARQUE IMPORTANTE : Cette plate-forme doit être de niveau pour que la surface de cuisson soit de niveau.

Enlevez et jetez tout le matériel d'emballage, y compris le carton et le ruban adhésif appliqué sur l'extérieur de l'entablement. Enlevez les grilles de brûleur et le polystyrène de la surface de cuisson. Assurez-vous de retirer les chapeaux de brûleur emballés dans le polystyrène se trouvant sous les grilles de brûleur.

Si votre installation exige un dossier, il doit être fixé à l'entablement avant l'installation. Reportez-vous aux instructions d'installation fournies qui accompagnent le dossier.

Positionnez l'entablement sur la plate-forme. Les branchements électriques et à l'alimentation en gaz devraient être effectués avant d'installer l'entablement de façon permanente.

CONFIGURATION DE L'ALIMENTATION EN GAZ

⚠ AVERTISSEMENT

DANGER D'EXPLOSION—

Serrez solidement tous les branchements de gaz extérieurs.

La non-observation de cette recommandation peut entraîner une explosion, un incendie ou un danger mortel.

REMARQUE IMPORTANTE : L'entablement à brûleurs étanches doit être raccordé à une alimentation en gaz réglementaire.

REMARQUE IMPORTANTE : L'installation doit se conformer aux codes et aux règlements locaux.

La plaque des spécifications du produit, située sur le dessous du bloc de brûleur, précise le type de gaz à utiliser. S'il ne correspond pas au type de gaz disponible, contactez votre fournisseur de gaz local.

Tous les appareils sont dotés du filetage d'arrivée de gaz 7-1 ISO. Veuillez contacter votre revendeur Sub-Zero si un autre type de filetage d'arrivée de gaz est requis, notamment le filetage 228-1 ISO. Il est recommandé d'utiliser la pâte pour joints de tuyau adaptée au gaz GPL. Généralement, les fournisseurs de gaz GPL déterminent les dimensions et les matériaux utilisés sur le système.

Si les codes locaux le permettent, l'utilisation d'un connecteur d'électroménager métallique et souple est recommandée pour brancher l'entablement à brûleurs étanches à la conduite d'alimentation en gaz. Ne pliez pas ou n'endommagez pas le connecteur souple lorsque vous déplacez l'entablement à brûleurs étanches. Vous devrez déterminer les raccords requis, en fonction de la dimension de votre conduite d'alimentation en gaz, du raccord flexible en métal et du robinet d'arrêt.

Si la conduite d'alimentation en gaz est constituée d'un tuyau rigide, vous devriez utiliser une combinaison de raccords de tuyauterie pour obtenir un raccordement en ligne à l'entablement à brûleurs étanches. Pour que l'entablement à brûleurs étanches soit de niveau et en ligne, les conduites d'alimentation et de gaz ne doivent pas être déformées.

REMARQUE IMPORTANTE

L'installation doit se conformer aux codes et aux règlements locaux.

DEBIT DU **GAZ**

N° de modèle	Sortie de chaleur totale (Gaz)	Puissance du gaz	Spécifications électriques (A)	Catégorie de l'appareil	Types et pressions (mbar)	Pays de destination
ICBSRT304	16,6	kW	0,17	I2H	G20 à 20	AT, DK, EE, FI, GR, IE, IT, LT, NO, PT, ES, SE, SI, SK, GB, CH
				I2E	G20 à 20	DE, PL
				I2E+	G20 à 20/25	BE, FR
ICBSRT304-LP 1 037		g/h	0,17	I3P	G31 à 37	BE, CZ, FR, GR, IE, NL, NO, PT, ES, GB, CH
ICBSRT364C	22,4	kW	0,17	I2H	G20 à 20	AT, DK, EE, FI, GR, IE, IT, LT, NO, PT, ES, SE, SI, SK, GB, CH
				I2E	G20 à 20	DE, PL
				I2E+	G20 à 20/25	BE, FR
ICBSRT364C-LP 1 415		g/h	0,17	I3P	G31 à 37	BE, CZ, FR, GR, IE, NL, NO, PT, ES, GB, CH
ICBSRT364G	22,1	kW	0,17	I2H	G20 à 20	AT, DK, EE, FI, GR, IE, IT, LT, NO, PT, ES, SE, SI, SK, GB, CH
				I2E	G20 à 20	DE, PL
				I2E+	G20 à 20/25	BE, FR
ICBSRT364G-LP 1 373		g/h	0,17	I3P	G31 à 37	BE, CZ, FR, GR, IE, NL, NO, PT, ES, GB, CH
ICBSRT486C	31,6	kW	0,17	I2H	G20 à 20	AT, DK, EE, FI, GR, IE, IT, LT, NO, PT, ES, SE, SI, SK, GB, CH
				I2E	G20 à 20	DE, PL
				I2E+	G20 à 20/25	BE, FR
ICBSRT486C-LP 1 987		g/h	0,17	I3P	G31 à 37	BE, CZ, FR, GR, IE, NL, NO, PT, ES, GB, CH
ICBSRT486G	31,3	kW	0,17	I2H	G20 à 20	AT, DK, EE, FI, GR, IE, IT, LT, NO, PT, ES, SE, SI, SK, GB, CH
				I2E	G20 à 20	DE, PL
				I2E+	G20 à 20/25	BE, FR
ICBSRT486G-LP 1 945		g/h	0,17	I3P	G31 à 37	BE, CZ, FR, GR, IE, NL, NO, PT, ES, GB, CH
ICBSRT484CG	27,9	kW	0,17	I2H	G20 à 20	AT, DK, EE, FI, GR, IE, IT, LT, NO, PT, ES, SE, SI, SK, GB, CH
				I2E	G20 à 20	DE, PL
				I2E+	G20 à 20/25	BE, FR
ICBSRT484CG-LP 1 751		g/h	0,17	I3P	G31 à 37	BE, CZ, FR, GR, IE, NL, NO, PT, ES, GB, CH
ICBSRT484F	21,2	kW	0,17	I2H	G20 à 20	AT, DK, EE, FI, GR, IE, IT, LT, NO, PT, ES, SE, SI, SK, GB, CH
				I2E	G20 à 20	DE, PL
				I2E+	G20 à 20/25	BE, FR
ICBSRT484F-LP 1 323		g/h	0,17	I3P	G31 à 37	BE, CZ, FR, GR, IE, NL, NO, PT, ES, GB, CH



CONFIGURATION DE L'ALIMENTATION EN GAZ

DETECTION DES FUITES DE GAZ

Utilisez une brosse et un détergent liquide pour tester tous les raccordements afin de déceler les fuites de gaz éventuelles. La formation de bulles autour des raccordements indique la présence d'une fuite. Si une fuite apparaît, fermez le robinet du gaz et ajustez les raccordements. Ensuite, vérifiez-les de nouveau. Nettoyez l'entablement pour enlever toute la solution détergente.

▲ AVERTISSEMENT

N'effectuez jamais la détection des fuites à l'aide d'une allumette ou autre type de flamme.

CONFIGURATION **ELECTRIQUE****⚠ AVERTISSEMENT****DANGER DE CHOC ELECTRIQUE —**

Branchez l'appareil à un adaptateur à 3 broches mis à la terre.

N'enlevez pas la broche de mise à la terre.

N'utilisez pas d'adaptateur.

La non-observation de ces instructions peut entraîner un choc électrique, un incendie ou un accident mortel.

REMARQUE IMPORTANTE : Si les codes l'autorisent et si un fil de terre distinct est utilisé, il est recommandé de demander à un électricien qualifié de déterminer si le trajet de mise à la terre est adéquat.

REMARQUE IMPORTANTE : En cas de doute sur la mise à la terre de l'entablement à brûleurs étanches, demandez l'avis d'un électricien qualifié.

REMARQUE IMPORTANTE : N'effectuez pas la mise à la terre sur un tuyau de gaz.

Vous aurez besoin d'une alimentation électrique à fusible de 220 - 240 V c.a., 50/60 Hz et 15 A. Il est recommandé d'utiliser un fusible temporisé ou un disjoncteur. Un circuit séparé, alimentant uniquement cet appareil ménager, est également fortement conseillé.

Les systèmes d'allumage électronique fonctionnent dans une certaine plage de tensions, mais exigent une mise à la terre et une polarité adéquates. La prise électrique doit fournir un courant de 220 à 240 V c.a. et être correctement mise à la terre. De plus, elle doit être vérifiée par un électricien qualifié qui s'assurera qu'elle est dotée de la polarité appropriée.

Lors de son installation, cet appareil doit être mis à la terre conformément aux codes locaux.

METHODE DE MISE A LA TERRE RECOMMANDEE

REMARQUE IMPORTANTE : Pour votre sécurité, l'entablement à brûleurs étanches doit être mis à la terre. Cet entablement est équipé d'une fiche de terre à 3 broches. Pour minimiser le risque de choc électrique, le cordon doit être branché dans une prise de terre homologue à 3 broches mise à la terre conformément aux codes et ordonnances locaux. En l'absence de prise homologue, il incombe au client de faire installer une prise à 3 broches correctement mise à la terre par un électricien qualifié.

REMARQUE IMPORTANTE : Si le produit est branché à une prise électrique protégée par un disjoncteur de fuite de terre, des coupures de courant intempestives peuvent se produire et empêcher de temps à autre l'appareil de fonctionner.




SCHEMA DE CABLAGE

Le schéma de câblage illustrant le circuit électrique est situé sur la paroi intérieure gauche de l'entablement.





BRULEURS DE SURFACE DE CUISSON

ALLUMAGE INITIAL

Les brûleurs de surface utilisent des allumeurs électroniques plutôt que des veilleuses permanentes. Si vous appuyez sur le bouton de commande de l'entablement à brûleurs étanches et le si vous le tournez à la position , le système crée une étincelle qui allume le brûleur. Cette étincelle persiste jusqu'à ce que le système d'allumage électronique détecte une flamme. Si après 10 secondes, le brûleur n'est pas parvenu à s'allumer, remettez le bouton à la position  et réessayez de l'allumer en tournant de nouveau le bouton à la position .

Assurez-vous de mettre les têtes et les chapeaux sur la base de chaque brûleur, puis placez les grilles par-dessus avant d'allumer.

Pour vérifier si les brûleurs de surface fonctionnent, appuyez sur chaque bouton de commande et tournez-le à la position . La flamme devrait s'allumer dans les quatre secondes.

Si un brûleur ne s'allume pas correctement, tournez le bouton de commande à la position . Vérifiez si les têtes et les chapeaux de brûleur sont à la position adéquate. Vérifiez si le cordon électrique est branché et si le disjoncteur ou le fusible de la maison n'a pas sauté. Vérifiez de nouveau si le brûleur fonctionne. S'il ne s'allume toujours pas, contactez une antenne de service agréée Wolf.

REMARQUE IMPORTANTE : L'allumage initial des brûleurs de surface pourrait prendre un peu plus de temps car l'air contenu dans le système doit être purgé avant que le gaz puisse être fourni au brûleur.

RETRAIT DE L'ENTABLEMENT A BRULEURS ETANCHES

Si vous devez retirer l'entablement à brûleurs étanches pour le nettoyer ou le réparer, coupez l'alimentation en gaz. Débranchez l'alimentation en gaz et l'alimentation électrique. Retirez les supports de montage du côté droit et du côté gauche du bloc de brûleur et enlevez l'entablement à brûleurs étanches. Réinstallez-les dans l'ordre inverse et vérifiez le raccordement de gaz pour déterminer s'il y a des fuites.

DEPISTAGE DES PANNES

REMARQUE IMPORTANTE : Si l'entablement à brûleurs étanches ne fonctionne pas correctement, suivez les étapes de dépiستage des pannes suivantes :

- Vérifiez si l'alimentation électrique est fournie à l'entablement à brûleurs étanches.
- Vérifiez si les valves de gaz sont à la position ON (OUVERT).
- Vérifiez les raccordements électriques et de gaz afin de vous assurer que l'installation a été effectuée correctement.
- Suivez les procédures de dépiستage des pannes décrites dans le Guide d'utilisation et d'entretien de l'entablement à brûleurs étanches Wolf.
- Si l'entablement à brûleurs étanches ne fonctionne toujours pas, contactez une antenne de service agréée Wolf. N'essayez pas de réparer vous-même l'entablement à brûleurs étanches. Wolf n'est pas responsable des dépannages requis en raison d'une mauvaise installation.



SERVICE **APRES-VENTE**

- Pour obtenir les coordonnées de votre service après-vente local, adressez-vous à votre revendeur Wolf ou consultez la section « Showroom Locator » de notre site Web, wolfappliance.com, pour trouver les coordonnées des distributeurs régionaux par pays.
- Lorsque vous contactez le service après-vente, vous devez fournir les numéros de modèle et de série de l'entablement à brûleurs étanches. Ces deux numéros figurent sur la plaque des caractéristiques du produit située sur le dessous de l'entablement à brûleurs étanches. Pour repérer l'emplacement de la plaque des caractéristiques, reportez-vous à l'illustration page 34.

CONTACT

Site Internet :
wolfappliance.com

Les informations et les images contenues dans ce guide sont protégées par des droits d'auteur et sont la propriété de Wolf Appliance, Inc., une filiale de Sub-Zero, Inc. Ce guide et les informations et images qu'il contient ne peuvent être copiés ou utilisés, en partie ou en totalité, sans l'autorisation écrite expresse de Wolf Appliance, Inc., filiale de Sub-Zero Inc.

©Wolf Appliance, Inc. tous droits réservés.



WOLF[®]

INFORMAZIONI
PER I CONTATTI

Sito Web:
wolfappliance.com

Man mano che seguite queste istruzioni, noterete dei simboli di **AVVERTENZA** ed **ATTENZIONE**. Queste informazioni evidenziate sono importanti per l'installazione sicura ed efficiente dell'apparecchiatura Wolf. Durante l'installazione sarete esposti a due potenziali pericoli.

▲ ATTENZIONE

Segnala una situazione con possibili lesioni minori o danni al prodotto qualora non ci si attenga a queste istruzioni.

▲ AVVERTENZA

Indica un pericolo che potrebbe causare gravi lesioni o morte, qualora non ci si attenga alle precauzioni.

Un'altra nota in calce che vorremmo identificare è **NOTA IMPORTANTE**: evidenzia informazioni di particolare importanza per un'installazione senza problemi.

REQUISITI PER **L'INSTALLAZIONE****▲ AVVERTENZA**

Questo elettrodomestico va installato secondo i regolamenti vigenti ed usato solo in un ambiente ben ventilato. Leggere tutte le istruzioni prima di utilizzare questo elettrodomestico.

NOTE IMPORTANTI:

- Gli interventi di installazione e riparazione vanno eseguiti da un installatore qualificato, un centro di assistenza o ente del gas.
- Non conservare o usare benzina o altri vapori e liquidi infiammabili in prossimità di questo o altri elettrodomestici.
- L'uso di un elettrodomestico a gas genera calore ed umidità nella stanza in cui è installato. Accertarsi che la cucina sia ben ventilata; tenere aperte le fessure di ventilazione naturale o installare un dispositivo di ventilazione meccanica (cappa con estrattore meccanico)
- L'uso intensivo e prolungato dell'elettrodomestico potrebbe richiedere ulteriore ventilazione, ad esempio l'apertura di una finestra, oppure una ventilazione più efficace, ad esempio l'aumento del livello di ventilazione meccanica, se presente.

COSA FARE SE SI SENTE ODORE DI GAS:

- Non provate ad accendere un elettrodomestico.
- Non toccare gli interruttori elettrici.
- Non usare il telefono all'interno dell'edificio.
- Chiamare subito l'ente del gas dal telefono di un vicino di casa. Seguire le istruzioni dell'ente del gas.
- Qualora non si riesca a parlare con l'ente del gas, rivolgersi ai pompieri.



REQUISITI PER **L'INSTALLAZIONE**

NOTA IMPORTANTE: l'installazione va completata da personale qualificato, da un centro di assistenza o dall'ente del gas.

NOTA IMPORTANTE: conservare queste istruzioni per l'installatore.

- Leggere tutte le istruzioni per l'installazione prima dell'installazione.
- **Installatore:** conservare queste istruzioni come riferimento, quindi lasciarle al proprietario dell'abitazione.
- **Proprietario dell'abitazione:** leggere e conservare queste istruzioni come riferimento futuro e verificare di aver letto le intere informazioni per l'utilizzo e la manutenzione prima dell'uso.

NOTA IMPORTANTE: questo elettrodomestico deve essere installato in conformità ai codici locali. All'elettrodomestico devono essere forniti i valori corretti di tensione, frequenza e amperaggio da un circuito dedicato collegato a terra, che è protetto da un interruttore di circuito di dimensioni appropriate o da un fusibile ritardato. I valori corretti di tensione, frequenza e amperaggio sono elencati sull'etichetta identificativa del prodotto.

Registrare il modello e i numeri di matricola prima di installare il piano di cottura monopezzo. Entrambi i numeri sono elencati sull'etichetta identificativa del prodotto, che si trova sul lato inferiore del piano di cottura monopezzo. Vedere l'illustrazione che segue.

PRIMA DI INIZIARE

- La corretta installazione è responsabilità dell'utente. Chiedere ad un tecnico qualificato di installare questo piano di cottura monopezzo. Accertarsi inoltre che l'installazione elettrica sia adeguata ed in conformità con tutti i codici e le ordinanze locali.
- Prima dell'installazione accertarsi che le condizioni di distribuzione locale (tipo e pressione del gas) e la regolazione dell'elettrodomestico siano compatibili allo scopo.
- Occorre disporre di un allacciamento del gas adeguato; consultare i requisiti per la fornitura di gas a pagina 54. Occorre inoltre un'adeguata messa a terra; per informazioni in merito, consultare i requisiti elettrici a pagina 57.
- Le condizioni di regolazione per questo elettrodomestico sono indicate sull'etichetta (o etichetta identificativa). L'etichetta identificativa si trova sul lato inferiore del piano di cottura monopezzo.

INFORMAZIONI
SULL'ETICHETTA
IDENTIFICATIVA

Numero del modello

Numero di matricola



Posizione dell'etichetta riportante i valori nominali

**PRIMA DI INIZIARE**

- Controllare il punto in cui installare il piano di cottura. Questo punto deve essere lontano da forti correnti d'aria, quali finestre, porte, termosifoni o ventilatori. Non ostruire il flusso di aria. L'area in cui si installa questo elettrodomestico deve avere un'alimentazione adeguata di aria fresca per garantire combustione e ventilazione adeguate.
- Questo elettrodomestico non è collegato ad un dispositivo di evacuazione di prodotti a combustione. Va installato e collegato secondo i regolamenti vigenti al momento per l'installazione. Prestare particolare attenzione ai requisiti di pertinenza riguardo la ventilazione.
- Tutte le aperture nella parete in cui viene installato il piano di cottura devono essere ben sigillate.

SPECIFICHE PER L'INSTALLAZIONE

I piani cottura professionali Wolf con bruciatori monopezzo sono disponibili in larghezze di 762 mm, 914 mm e 1.219 mm. Le illustrazioni a pagina 51–53 riportano le dimensioni generali e le specifiche per l'installazione per ciascuna larghezza di piano di cottura con bruciatori monopezzo.

Ciascun piano di cottura è concepito per l'installazione tra pensili montati alla distanza specificata dall'unità. Ad esempio, un piano di cottura da 914 mm viene installato in un incasso da 914 mm.

NOTA IMPORTANTE: utilizzare le dimensioni dell'incasso tra i pensili riportate nelle illustrazioni sulle specifiche per l'installazione. Queste dimensioni indicano le distanze richieste.

NOTA IMPORTANTE: individuare l'alimentazione elettrica all'interno delle dimensioni riportate nelle illustrazioni sulle specifiche per l'installazione.

Consultare l'illustrazione per il modello in dotazione, a pagina 51–53, per le dimensioni esatte per l'incasso e la posizione del tubo del gas ed elettrico.



DISTANZE **MINIME**

NOTA IMPORTANTE: prestare attenzione durante la pianificazione dell'installazione di un piano cottura professionale Wolf con bruciatori monopezzo onde evitare incendi o danni ai pensili adiacenti o agli elettrodomestici della cucina. Rispettare le distanze minime indicate nelle dimensioni incasso finito.

Consultare le illustrazioni sulle specifiche per l'installazione per il modello in dotazione, a pagina 51–53, per le dimensioni esatte dell'incasso.

INSTALLAZIONI A PARETE

Distanze minime alle superfici combustibili:

- Distanza minima di 457 mm dal fondo del pensile superiore al piano di lavoro, entro una distanza laterale minima di 152 mm.
- Lo spazio minimo tra i pensili laterali deve essere maggiore o uguale alla larghezza nominale del piano di cottura. La profondità massima dei pensili superiori e laterali è 330 mm, entro una distanza laterale di 152 mm.
- Distanza di 0 mm per materiali combustibili adiacenti sotto il piano di lavoro, laterali e posteriori.
- Il fondo della cappa di ventilazione deve essere a 762 mm (minimo) - 914 mm (massimo) dal piano di lavoro.

Distanze minime per piani di cottura professionali con bruciatori monopezzo senza cappa di ventilazione:

- Modello ICBSRT304: distanza verticale minima di 762 mm dal piano di lavoro ai materiali combustibili sopra il piano di cottura.

Tutti gli altri piani di cottura professionali con bruciatori monopezzo:

- Modelli con bruciatori o piastra metallica (G) in superficie: distanza verticale minima di 914 mm dal piano di lavoro ai materiali combustibili sopra il piano di cottura.
- Modelli con griglia (C): distanza verticale minima di 1.118 mm dal piano di lavoro ai materiali combustibili sopra il piano di cottura.

INSTALLAZIONI SU PENISOLA

Distanze minime alle superfici combustibili:

- Installazioni su isola: distanza minima di 305 mm alla parete posteriore che si innalza sopra il piano di cottura.
- Installazioni su penisola: distanza minima di 152 mm alle pareti laterali e di 305 mm alla parete posteriore che si innalza sopra il piano di lavoro.

Consultare le illustrazioni sulle specifiche per l'installazione per il modello in dotazione, a pagina 51–53, per le dimensioni esatte dell'incasso.

▲ AVVERTENZA

La collocazione del piano di cottura senza i corretti spazi liberi comporta un pericolo di incendio.

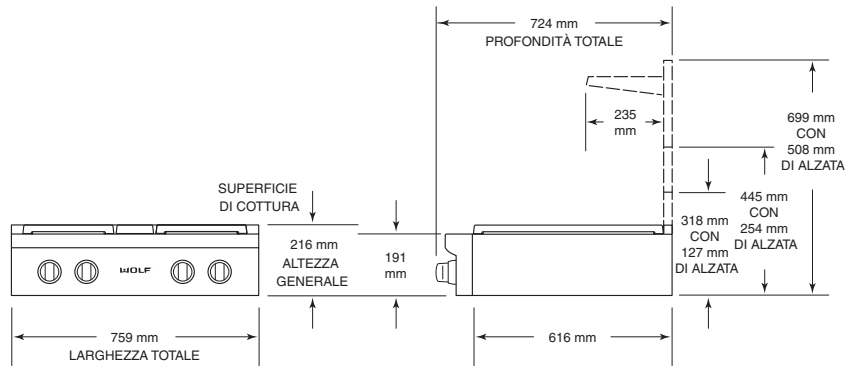
REQUISITI DI ALZATA

Installazioni contro una superficie combustibile:

- Modello ICBSRT304: nessun requisito di alzata.
- Piano cottura professionale con fornelli monopezzo da 914 mm: per i modelli con graticola (C) o piastra metallica (G) installati contro una superficie combustibile occorre un'alzata minima di 254 mm.
- Piano cottura professionale con fornelli monopezzo da 1.219 mm: per i modelli con graticola (C) o piastra metallica (G) installati contro una superficie combustibile occorre un'alzata minima di 254 mm.



PIANI COTTURA PROFESSIONALI CON FORNELLI MONOPEZZO DA **762 mm**

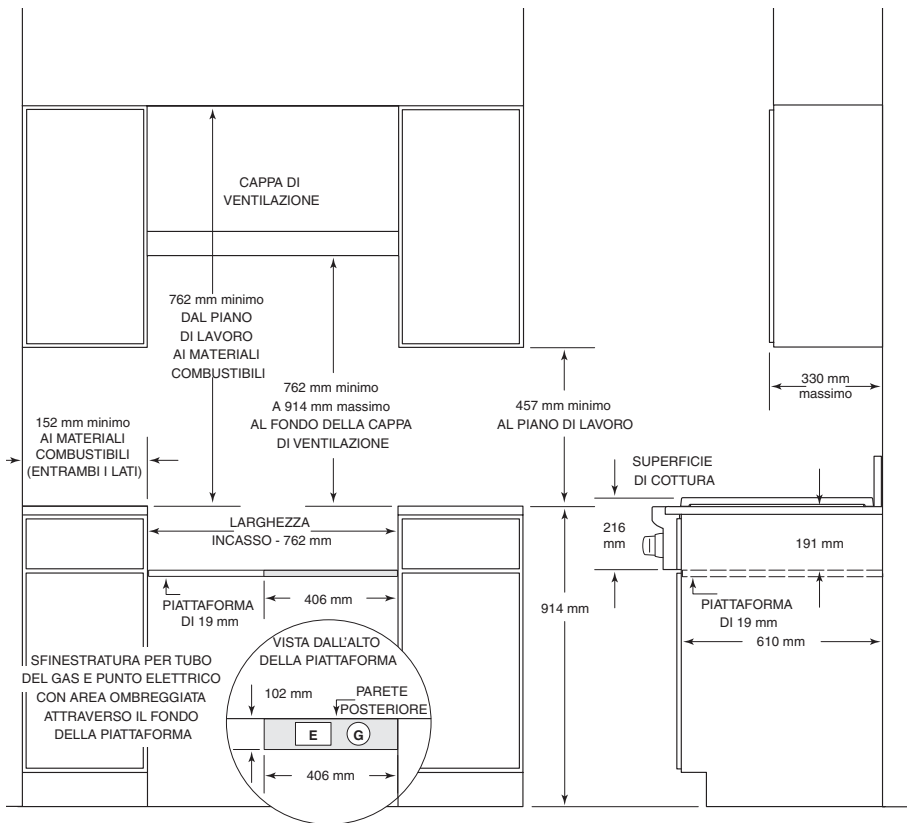


DIMENSIONI GENERALI

Larghezza totale	759 mm
Altezza generale (alla superficie di cottura)	216 mm
Profondità totale	724 mm
Larghezza apertura	762 mm

Le dimensioni potrebbero variare fino ± a 3 mm.

SPECIFICHE PER L'INSTALLAZIONE



INSTALLAZIONI SU ISOLA: 305 mm DI SPAZIO MINIMO DAL RETRO DEL PIANO COTTURA ALLA PARETE POSTERIORE DEL MATERIALE COMBUSTIBILE SOPRA IL PIANO DI LAVORO 0 mm AI MATERIALI NON COMBUSTIBILI

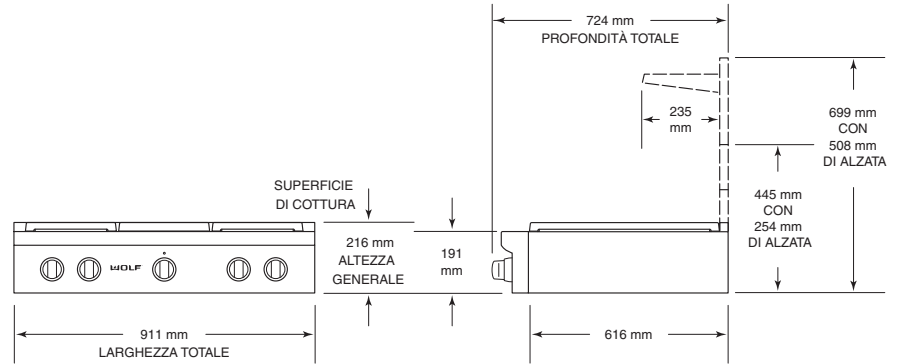


PIANI COTTURA PROFESSIONALI CON FORNELLI MONOPEZZO DA 914 mm

DIMENSIONI GENERALI

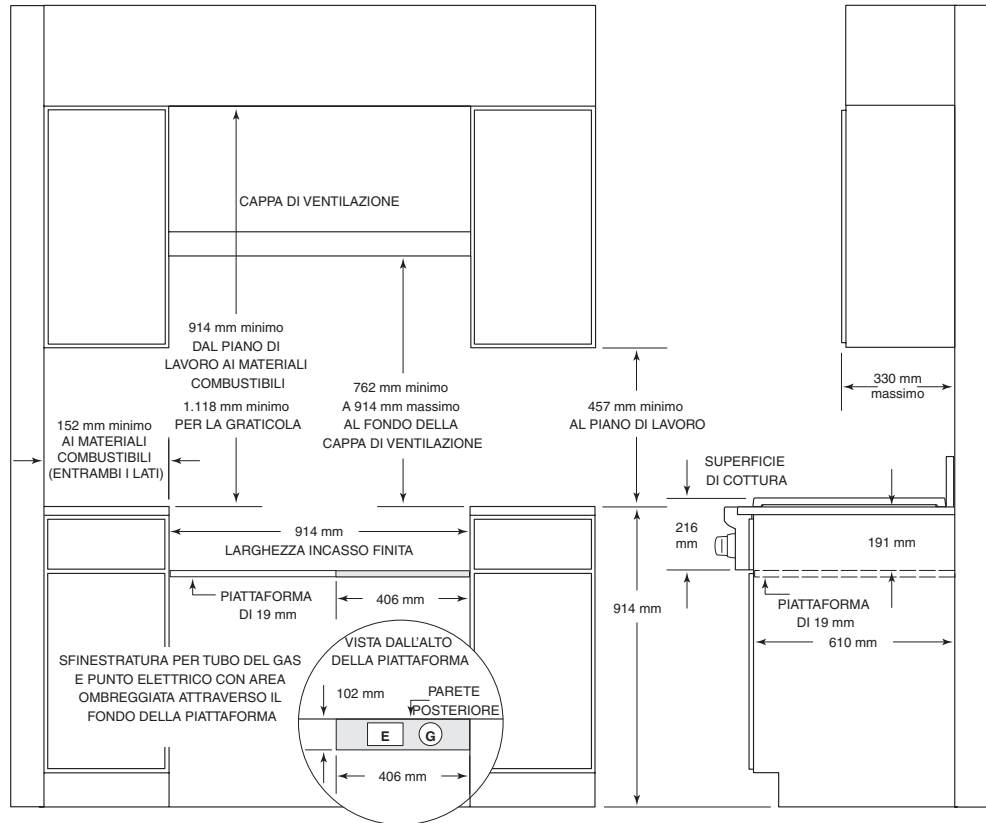
Larghezza totale	911 mm
Altezza generale (alla superficie di cottura)	216 mm
Profondità totale	724 mm
Larghezza apertura	914 mm

Le dimensioni potrebbero variare fino \pm a 3 mm.



SPECIFICHE PER L'INSTALLAZIONE

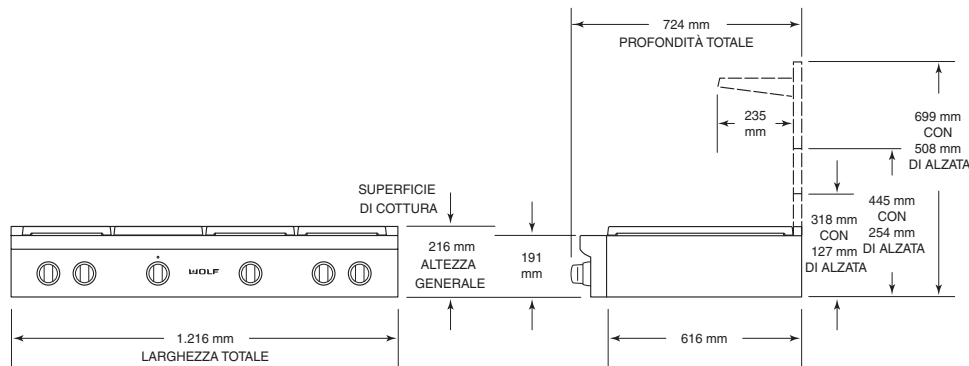
NOTA IMPORTANTE: per i modelli con graticola (C) o piastra metallica (G) installati contro una superficie combustibile occorre un'alzata minima di 254 mm.



INSTALLAZIONI SU ISOLA: 305 mm DI SPAZIO MINIMO DAL RETRO DEL PIANO COTTURA ALLA PARETE POSTERIORE DEL MATERIALE COMBUSTIBILE SOPRA IL PIANO DI LAVORO 0 mm AI MATERIALI NON COMBUSTIBILI



PIANI COTTURA PROFESSIONALI CON FORNELLI MONOPEZZO DA **1.219 mm**

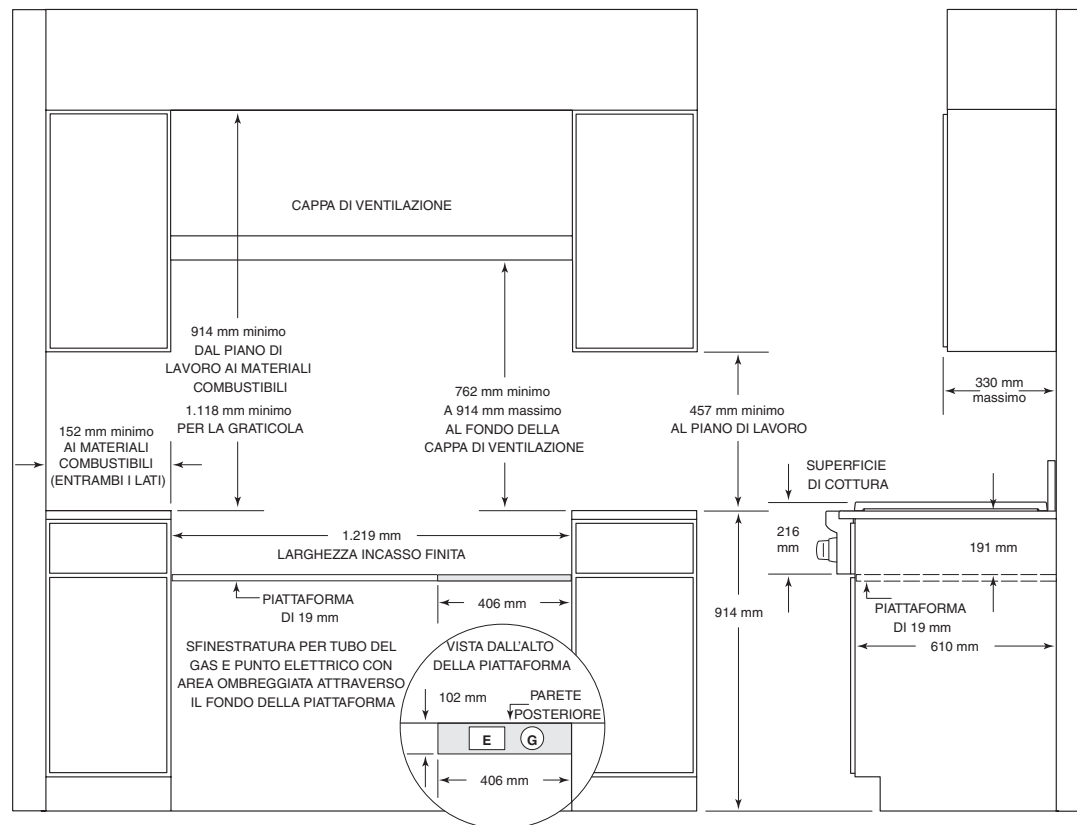


DIMENSIONI GENERALI

Larghezza totale	1.216 mm
Altezza generale (alla superficie di cottura)	216 mm
Profondità totale	724 mm
Larghezza apertura	1.219 mm

Le dimensioni potrebbero variare fino \pm a 3 mm.

SPECIFICHE PER L'INSTALLAZIONE



NOTA IMPORTANTE:
sui piani di cottura con bruciatori monopezzo da 1.219 mm, per i modelli con graticola (C) o piastra metallica (G) installati contro una superficie combustibile occorre un'alzata minima di 254 mm.

INSTALLAZIONI SU ISOLA: 305 mm DI SPAZIO MINIMO DAL RETRO DEL PIANO COTTURA ALLA PARETE POSTERIORE DEL MATERIALE COMBUSTIBILE SOPRA IL PIANO DI LAVORO
0 mm AI MATERIALI NON COMBUSTIBILI

**INSTALLAZIONE DEL PIANO DI COTTURA**

Preparare l'incasso finito per il piano di cottura secondo l'illustrazione sulle specifiche per l'installazione per il modello in dotazione a pagina 51-53. La piattaforma deve avere uno spessore di 19 mm ed include una sfinestratura in basso a destra per le connessioni di gas ed elettrica.

NOTA IMPORTANTE

Questa installazione deve essere conforme ai codici ed alle ordinanze vigenti a livello locale.

NOTA IMPORTANTE: per accertarsi che la superficie di cottura sia a livello, la piattaforma deve essere a livello.

Togliere e gettare tutto il materiale di imballaggio, incluso cartone e nastro esterni al piano di cottura. Togliere le griglie per bruciatori ed il polistirolo di imballaggio dalla superficie di cottura. Accertarsi di togliere le corone dei bruciatori imballate nel polistirolo sotto le griglie per bruciatori.

Se l'installazione prevede un'alzata, questa va fissata al piano di cottura prima dell'installazione. Consultare le istruzioni per l'installazione in dotazione all'alzata.

Posizionare il piano di cottura sulla piattaforma. Le connessioni di gas ed elettrica vanno effettuate prima che il piano di cottura sia nella posizione finale.

REQUISITI PER L'INVIO DI GAS**⚠ AVVERTENZA****PERICOLO DI ESPLOSIONE—**

Serrare bene tutte le connessioni del gas esterno.

La mancata osservanza di questa precauzione potrebbe causare esplosione, incendio o morte.

NOTA IMPORTANTE: il piano di cottura professionale monopezzo va collegato ad una fonte del gas regolata.

NOTA IMPORTANTE: questa installazione deve essere conforme ai codici ed alle ordinanze vigenti a livello locale.

L'etichetta identificativa del prodotto, situata sul lato inferiore del piano di cottura, contiene informazioni sul tipo di gas da usare. Se queste informazioni non sono conformi al tipo di gas disponibile, rivolgersi al fornitore di gas di zona.

Tutte le unità sono dotate di una guida di ingresso gas ISO 7-1. Qualora occorra un modello ISO 228-1 o un'altra guida di ingresso gas, rivolgersi al proprio rivenditore Wolf di zona. Utilizzare solo composti per giunti adeguati all'uso con gas LP. I fornitori di gas LP di solito determinano le dimensioni ed i materiali usati per l'impianto in questione.

Se consentito dai codici di zona, si consiglia di usare un connettore per elettrodomestici metallico flessibile per collegare questo piano di cottura monopezzo alla linea di mandata del gas. Al momento di spostare il piano di cottura monopezzo, non piegare o danneggiare il connettore flessibile. Determinare i raccordi necessari, secondo le dimensioni della linea di mandata del gas, il connettore flessibile in metallo e la valvola di arresto.

Se si fa uso di un tubo rigido come linea di mandata del gas, occorre usare una combinazione di raccordi per ottenere una connessione in linea al piano di cottura monopezzo. Evitare di esercitare pressione sulle linee di mandata e del gas, di modo che il piano di cottura sia a livello.

PORTATA **GAS**

N. modello	Totale uscita calore (gas)	Unità a gas	Portata elettrica (Ampere)	Elettrodo- mestico a gas	Tipi e pressioni (mbar)	Paese di destinazione
ICBSRT304	16,6	kW	0,17	I2H	G20 a 20	AT, DK, EE, FI, GR, IE, IT, LT, NO, PT, ES, SE, SI, SK, GB, CH
				I2E	G20 a 20	DE, PL
				I2E+	G20 a 20/25	BE, FR
ICBSRT304-LP	1.037	g/h	0,17	I3P	G31 a 37	BE, CZ, FR, GR, IE, NL, NO, PT, ES, GB, CH
ICBSRT364C	22,4	kW	0,17	I2H	G20 a 20	AT, DK, EE, FI, GR, IE, IT, LT, NO, PT, ES, SE, SI, SK, GB, CH
				I2E	G20 a 20	DE, PL
				I2E+	G20 a 20/25	BE, FR
ICBSRT364C-LP	1.415	g/h	0,17	I3P	G31 a 37	BE, CZ, FR, GR, IE, NL, NO, PT, ES, GB, CH
ICBSRT364G	22,1	kW	0,17	I2H	G20 a 20	AT, DK, EE, FI, GR, IE, IT, LT, NO, PT, ES, SE, SI, SK, GB, CH
				I2E	G20 a 20	DE, PL
				I2E+	G20 a 20/25	BE, FR
ICBSRT364G-LP	1.373	g/h	0,17	I3P	G31 a 37	BE, CZ, FR, GR, IE, NL, NO, PT, ES, GB, CH
ICBSRT486C	31,6	kW	0,17	I2H	G20 a 20	AT, DK, EE, FI, GR, IE, IT, LT, NO, PT, ES, SE, SI, SK, GB, CH
				I2E	G20 a 20	DE, PL
				I2E+	G20 a 20/25	BE, FR
ICBSRT486C-LP	1.987	g/h	0,17	I3P	G31 a 37	BE, CZ, FR, GR, IE, NL, NO, PT, ES, GB, CH
ICBSRT486G	31,3	kW	0,17	I2H	G20 a 20	AT, DK, EE, FI, GR, IE, IT, LT, NO, PT, ES, SE, SI, SK, GB, CH
				I2E	G20 a 20	DE, PL
				I2E+	G20 a 20/25	BE, FR
ICBSRT486G-LP	1.945	g/h	0,17	I3P	G31 a 37	BE, CZ, FR, GR, IE, NL, NO, PT, ES, GB, CH
ICBSRT484CG	27,9	kW	0,17	I2H	G20 a 20	AT, DK, EE, FI, GR, IE, IT, LT, NO, PT, ES, SE, SI, SK, GB, CH
				I2E	G20 a 20	DE, PL
				I2E+	G20 a 20/25	BE, FR
ICBSRT484CG-LP	1.751	g/h	0,17	I3P	G31 a 37	BE, CZ, FR, GR, IE, NL, NO, PT, ES, GB, CH
ICBSRT484F	21,2	kW	0,17	I2H	G20 a 20	AT, DK, EE, FI, GR, IE, IT, LT, NO, PT, ES, SE, SI, SK, GB, CH
				I2E	G20 a 20	DE, PL
				I2E+	G20 a 20/25	BE, FR
ICBSRT484F-LP	1.323	g/h	0,17	I3P	G31 a 37	BE, CZ, FR, GR, IE, NL, NO, PT, ES, GB, CH



REQUISITI PER L'INVIO DI GAS

VERIFICA DI EVENTUALI PERDITE DI GAS

Usare una spazzola ed un detergente liquido per collaudare che le connessioni di gas non perdano. Bollicine intorno alle connessioni indicano una perdita. In caso di perdita, chiudere la valvola del gas e regolare le connessioni. Ricontrollare quindi le connessioni. Pulire via tutta la soluzione detergente dal piano di cottura.

▲ AVVERTENZA

Non controllare mai eventuali perdite di gas con un fiammifero o altra fiamma.

**REQUISITI ELETTRICI****▲ AVVERTENZA****PERICOLO DI FOLGORAZIONE—**

Inserire in un adattatore con messa a terra a 3 poli.

Non rimuovere il polo di messa a terra.

Non usare un riduttore.

La mancata osservanza di queste istruzioni potrebbe causare folgorazione, incendio o morte.

NOTA IMPORTANTE: se permesso dai codici vigenti e se si fa uso di una messa a terra separata, si consiglia di chiedere ad un elettricista qualificato di verificare l'adeguatezza della messa a terra.

NOTA IMPORTANTE: in caso di dubbi sulla messa a terra del piano di cottura monopezzo, rivolgersi ad un elettricista qualificato.

NOTA IMPORTANTE: non effettuare la messa a terra su un tubo del gas.

Occorre un'alimentazione elettrica da 220-240 V c.a., 50/60 Hz con fusibile. Si consiglia l'uso di un fusibile a bruciatura ritardata o di un interruttore automatico. Si consiglia inoltre di predisporre un circuito separato esclusivamente per questo elettrodomestico.

I sistemi ad accensione elettrica funzionano entro ampi limiti di tensione, sebbene occorra verificare un'adeguata messa a terra e polarità. Oltre a controllare che la presa elettrica fornisca un'alimentazione di 220-240 V c.a. ed abbia una corretta messa a terra, la presa va controllata da un elettricista qualificato per accertarsi che disponga della giusta polarità.

Se installato, questo elettrodomestico deve disporre di una corretta messa a terra in conformità ai codici locali.

METODO DI MESSA A TERRA CONSIGLIATO

NOTA IMPORTANTE: per garantire la sicurezza del personale, questo piano di cottura monopezzo va messo a terra. L'elettrodomestico è dotato di una spina di messa a terra a 3 poli. Per ridurre il pericolo di folgorazione, il cavo va inserito in una presa di messa a terra a 3 poli corrispondente, messa a terra conformemente a tutti i codici e le ordinanze di zona. Qualora questa presa elettrica non sia disponibile, è responsabilità del cliente garantire un'adeguata messa a terra con presa elettrica a 3 poli installata da un elettricista qualificato.

NOTA IMPORTANTE: se il prodotto è collegato ad una presa protetta con circuito GFCI, si potrebbero verificare dei fastidiosi scatti con perdita di alimentazione e di funzionamento del prodotto.

SCHEMA ELETTRICO

Lo schema elettrico del circuito elettrico si trova sulla parete sinistra interna del piano di cottura.



FORNELLI

ILLUMINAZIONE INIZIALE

I bruciatori in superficie utilizzano un sistema di accensione elettronica anziché la fiamma pilota. Se la manopola di controllo del piano di cottura monopezzo viene spinta in dentro e girata sulla posizione 🔥, il sistema crea una scintilla per accendere il bruciatore. Questa scintilla continua fin quando il sistema di accensione elettronica non rileva una fiamma. Se il bruciatore non si accende dopo 10 secondi, riportare la manopola sulla posizione ○ e riprovare girando la manopola e riportandola sulla posizione 🔥.

Accertarsi di posizionare gli elementi dei singoli bruciatori sulla base e posizionare la griglia sopra le basi e le corone prima di accendere.

Per controllare il funzionamento dei bruciatori in superficie, spingere e girare la manopola sulla posizione 🔥. La fiamma dovrebbe accendersi entro quattro secondi.

Se i bruciatori non si accendono correttamente, girare la manopola di controllo sulla posizione ○. Controllare che le corone dei bruciatori siano sulla posizione giusta. Controllare che il cavo di alimentazione sia inserito nella presa di corrente e che l'interruttore automatico o il fusibile di casa non sia bruciato. Controllare nuovamente il funzionamento; se i bruciatori non si accendono ancora, rivolgersi ad un centro di assistenza Wolf autorizzato.

NOTA IMPORTANTE: l'accensione iniziale dei bruciatori in superficie potrebbe richiedere più tempo, poiché l'aria nel sistema va eliminata prima che il gas arrivi ai bruciatori.

RIMOZIONE DEL PIANO DI COTTURA MONOPEZZO

Qualora occorra rimuovere il piano di cottura monopezzo per pulizia o interventi di riparazione, chiudere la valvola del gas. Scollegare il gas e l'alimentazione elettrica. Togliere le piastre di attacco a destra e a sinistra dell'incasso dei bruciatori e togliere il piano di cottura monopezzo. Rimontare nell'ordine inverso e controllare che l'allacciamento del gas non perda.

SOLUZIONE DEI PROBLEMI

NOTA IMPORTANTE: se il piano di cottura monopezzo non funziona correttamente, seguire questi passaggi per la risoluzione dei problemi:

- Verificare che il piano di cottura monopezzo sia alimentato.
- Controllare che le valvole del gas siano sulla posizione accesa (ON).
- Controllare le connessioni elettriche per accertarsi che l'installazione sia stata completata correttamente.
- Attenersi alle procedure per la soluzione dei problemi come descritte nelle Informazioni per l'uso e la manutenzione dei piani di cottura con bruciatori monopezzo.
- Se il piano di cottura continua a non funzionare, rivolgersi ad un centro di assistenza autorizzato Wolf. Non tentare di riparare da soli il piano di cottura. Wolf non è responsabile dell'assistenza richiesta per correggere un'installazione difettosa.



SE È NECESSARIA **ASSISTENZA**

- Per l'assistenza in zona, rivolgersi al proprio rivenditore Wolf o visitare la pagina di ricerca dei saloni esposizione del nostro sito Web, wolfappliance.com, per trovare i distributori di zona in base al Paese.
- Al momento di richiedere assistenza, occorre disporre del numero del piano di cottura monopezzo e dei numeri di serie. Entrambi i numeri sono elencati sull'etichetta identificativa del prodotto, che si trova sul lato inferiore del piano di cottura monopezzo. Consultare l'illustrazione a pagina 48 per la posizione del punto dell'etichetta di identificazione.

INFORMAZIONI
PER I CONTATTI

Sito Web:
wolfappliance.com

Le informazioni e le immagini contenute in questa guida sono protette da copyright della Wolf Appliance Company, Inc., una consociata della Sub-Zero Freezer Company, Inc. Questo documento e le informazioni o immagini qui contenute non potranno essere copiati o usati, in parte o nella loro interezza, senza l'esplicito consenso scritto della Wolf Appliance Company, Inc., una consociata della Sub-Zero, Inc.

©Wolf Appliance, Inc. Tutti i diritti riservati.



WOLF[®]

KONTAKTIN-
FORMATIONEN

Website:
wolfappliance.com

In diesen Anweisungen sind Symbole für **ACHTUNG** und **VORSICHT** enthalten. Diese Informationsblöcke sind wichtig für die sichere und effiziente Installation von Wolf-Geräten. Es gibt zwei Arten möglicher Gefahren, die während der Installation auftreten können.

▲ VORSICHT

weist auf eine Situation hin, in der geringfügige Verletzungen oder Produktschäden auftreten, wenn Sie die Anweisungen nicht befolgen.

▲ ACHTUNG

benennt eine Gefahr, die zu einer ernsthaften Verletzung oder zum Tod führen kann, wenn die Vorsichtsmaßnahmen nicht eingehalten werden.

Eine weitere Fußnote, auf die wir aufmerksam machen möchten, ist ein **WICHTIGER HINWEIS**: Er hebt Informationen hervor, die für eine problemlose Installation besonders relevant sind.



INSTALLATIONSVORAUSSETZUNGEN

⚠ ACHTUNG

Dieses Gerät ist gemäß geltender Vorschriften zu installieren und darf nur in einem gut belüfteten Raum verwendet werden. Vor der Installation bzw. der Verwendung dieses Geräts die Anweisungen lesen.

WICHTIGER HINWEIS:

- Einbau und Service sind von einem qualifizierten Fachmann, einem Fachbetrieb oder dem Gasversorgungsunternehmen durchzuführen.
- Bewahren Sie kein Benzin oder andere entzündliche Flüssigkeiten (auch Flüssigkeiten, die entzündliche Dämpfe entwickeln können) in der Nähe dieses Herdes oder anderer Geräte auf.
- Bei der Verwendung eines Gasherdes entwickeln sich Wärme und Feuchtigkeit in dem Raum, in dem er verwendet wird. Stellen Sie sicher, dass die Küche gut entlüftet ist; achten Sie darauf, dass natürliche Entlüftungsöffnungen offen bleiben oder installieren Sie einen mechanischen Entlüfter (mechanische Abzugshaube).
- Bei einer längeren intensiven Nutzung des Geräts wird eventuell eine zusätzliche Entlüftung oder eine effizientere Belüftung benötigt, beispielsweise durch Öffnen eines Fensters bzw. durch Erhöhen der Geschwindigkeit der mechanischen Entlüftung (falls vorhanden).

WAS BEI GASGERUCH ZU TUN IST:

- Keine Geräte einschalten.
- Keine elektrischen Schalter berühren.
- Keine Telefone innerhalb des Gebäudes benutzen.
- Vom Telefon Ihres Nachbarn umgehend das Gasversorgungsunternehmen anrufen. Den Anweisungen des Versorgungsunternehmens folgen.
- Wenn Sie das Gasversorgungsunternehmen nicht erreichen können, rufen Sie die Feuerwehr.



INFORMATIONEN
AUF DEM
TYPENSCHILD

Modellnummer

Seriennummer

INSTALLATIONSVORAUSSETZUNGEN

WICHTIGER HINWEIS: Diese Installation ist von einem qualifizierten Installierer, einem Fachbetrieb oder vom Gasversorgungsunternehmen vorzunehmen.

WICHTIGER HINWEIS: Bewahren Sie diese Installationsanweisungen für den Gebrauch seitens des örtlichen Prüfers auf.

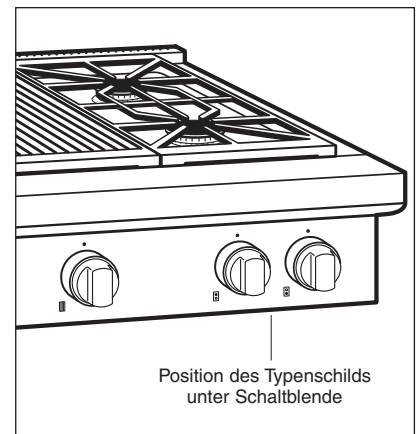
- Lesen Sie bitte die gesamten Installationsanweisungen vor der Installation.
- **Installierer:** Bewahren Sie diese Anweisungen bitte auf, damit der örtliche Prüfer Einsicht nehmen kann, und hinterlassen Sie sie dann dem Hauseigentümer.
- **Hauseigentümer:** Bitte lesen Sie diese Anweisungen und bewahren Sie sie für zukünftige Nachschlagezwecke auf. Vor der Verwendung sollten Sie unbedingt die gesamte Bedienungs- und Pflegeanleitung lesen.

WICHTIGER HINWEIS: Dieses Gerät muss gemäß örtlichen Vorschriften installiert werden. Die richtige Spannung, Frequenz und Amperezahl muss dem Gerät über einen dedizierten, geerdeten Stromkreis bereitgestellt werden, der von einem korrekt ausgelegten Schutzschalter oder einer Sicherung mit Zeitverzögerung geschützt wird. Die richtige Spannung, Frequenz und Amperezahl sind auf dem Produkttypenschild aufgeführt.

Zeichnen Sie Modell- und Seriennummer auf, bevor die versiegelte Kochmulde eingebaut wird. Beide Nummern sind auf dem Typenschild aufgeführt, das sich auf der Unterseite der versiegelten Kochmulde befindet. Siehe die Abbildung unten.

VOR DER INBETRIEBNAHME

- Für die korrekte Installation sind Sie verantwortlich. Lassen Sie diese versiegelte Kochmulde von einem qualifizierten Techniker einbauen. Außerdem müssen Sie sicherstellen, dass die Elektroinstallation angemessen ist und alle örtlichen Vorschriften und Richtlinien einhält.
- Vor der Installation muss geprüft werden, ob die örtlichen Verteilungsbedingungen (Gastyp und Gasdruck) und die Einstellung des Geräts miteinander kompatibel sind.
- Es muss ein geeigneter Gasanschluss vorhanden sein; siehe die Gasversorgungsvoraussetzungen auf Seite 68. Eine elektrische Erdung ist erforderlich; siehe die Elektroanforderungen auf Seite 71.
- Die Einstellungsbedingungen für dieses Gerät sind auf dem Aufkleber (oder dem Typenschild) aufgeführt. Das Schild mit den entsprechenden Daten befindet sich auf der Unterseite der versiegelten Kochmulde.



Typenschildposition



VOR DER INBETRIEBNAHME

- Prüfen Sie den Ort, an dem die Kochmulde eingebaut werden soll. Er sollte sich nicht in einem Bereich mit starker Zugluft befinden, beispielsweise in der Nähe von Fenstern, Türen und starken Heizlüftern oder Ventilatoren. Sorgen Sie für freien Luftstrom. Der Bereich, in dem dieses Gerät installiert wird, muss über eine angemessene Frischluftzufuhr verfügen, um die richtige Verbrennung und Lüftung zu gewährleisten.
- Dieses Gerät wird nicht an eine Abgaseinrichtung für Verbrennungsprodukte angeschlossen. Es muss nach den geltenden Installationsvorschriften eingebaut und angeschlossen werden. Besonders zu beachten sind die entsprechenden Anforderungen an die Entlüftung.
- Alle Öffnungen in der Wand, wo die Kochmulde installiert werden soll, müssen abgedichtet werden.

INSTALLATIONSSPEZIFIKATIONEN

Kochmulden mit versiegelten Brennern von Wolf sind in Breiten von 762 mm, 914 mm und 1219 mm erhältlich. In den Abbildungen auf Seite 65–67 sind die Gesamtabmessungen und Installationsspezifikationen für Kochmulden mit versiegelten Brennern jeder Breite enthalten.

Jede Kochmulde ist so konzipiert, dass sie zwischen Schränke passt, die in einem vom Gerät vorgegebenen Abstand zueinander stehen. Eine 914-mm-Kochmulde passt beispielsweise in eine 914-mm-Öffnung.

WICHTIGER HINWEIS: Es müssen die in den Abbildungen mit den Installationsspezifikationen aufgeführten Abmessungen für Schranköffnungen verwendet werden. Diese Abmessungen beziehen sich auf die notwendigen Freiräume.

WICHTIGER HINWEIS: Installieren Sie die Stromversorgung innerhalb der Abmessungen, die in den Abbildungen mit den Installationsspezifikationen enthalten sind.

Die genauen Abmessungen der Rohbauöffnung und die Position der Gas- und Stromversorgung entnehmen Sie der Abbildung mit den Installationsspezifikationen für Ihr Modell auf Seite 65–67.



MINDESTFREIRÄUME

WICHTIGER HINWEIS: Bei der Planung der korrekten Installation der Kochmulde mit versiegelten Brennern von Wolf müssen Sie Vorsicht walten lassen, um Brände oder Schäden an angrenzenden Schränken oder Kucheneinrichtungen zu vermeiden. Halten Sie bitte unbedingt die Mindestabstände ein, die für die Abmessungen der bearbeiteten Rohbauöffnung festgelegt wurden.

Die genauen Abmessungen der Rohbauöffnung entnehmen Sie der Abbildung mit den Installations-spezifikationen für Ihr Modell auf Seite 65–67.

WANDINSTALLATIONEN

Mindestabstände zu brennbaren Flächen:

- Mindestabstand von 457 mm von Unterseite des oberen Schrankes zur Arbeitsplatte, innerhalb eines Seitenabstands von mindestens 152 mm.
- Mindestabstand zwischen oben liegenden Seitenschränken muss größer oder gleich der Nennbreite der Kochmulde sein. Die maximale Tiefe der oben liegenden und Seitenschränke beträgt 330 mm, der seitliche Freiraum 152 mm.
- 0 mm Abstand für angrenzende brennbare Materialien unter der Arbeitsplatte, auf beiden Seiten und an der Rückseite.
- Die Unterseite der Abzugshaube muss einen Abstand von mindestens 762 mm bis höchstens 914 mm von der Arbeitsplatte aufweisen.

Mindestabstände für Kochmulden mit versiegelten Brennern ohne Abzugshaube:

- Modell ICBST304: Mindestens 762 mm vertikaler Abstand von Arbeitsplatte zu brennbaren Materialien über der Kochmulde.

Alle anderen Kochmulden mit versiegelten Brennern:

- Kochmuldenbrenner oder Griddle-Modelle (G): mindestens 914 mm vertikaler Abstand von Arbeitsplatte zu brennbaren Materialien über der Kochmulde.
- Steakgrill-Modelle (C): mindestens 1118 mm vertikaler Abstand von Arbeitsplatte zu brennbaren Materialien über der Kochmulde.

INSEL- | HALBINSELINSTALLATIONEN

Mindestabstände zu brennbaren Flächen:

- Inselinstallationen: mindestens 305 mm Abstand zur Rückwand, die über die Arbeitsplatte hinaus ragt.
- Halbinselinstallationen: mindestens 152 mm Abstand zu Seitenwänden und mindestens 305 mm Abstand zur Rückwand, die über die Arbeitsplatte hinaus ragt.

Die genauen Abmessungen der Rohbauöffnung entnehmen Sie der Abbildung mit den Installations-spezifikationen für Ihr Modell auf Seite 65–67.

⚠ ACHTUNG

Wenn beim Einbau der Kochmulde nicht die richtigen Freiräume eingehalten werden, führt dies zu einer Brandgefahr.

SOCKELANFORDERUNGEN

Installationen an einer brennbaren Fläche:

- Modell ICBST304: Keine Sockelanforderungen.
- 914-mm-Kochmulden mit versiegelten Brennern: Wenn Steakgrill- (C) oder Griddleflächenmodelle (G) an einer brennbaren Fläche installiert werden, ist ein Sockel von mindestens 254 mm Höhe erforderlich.
- 1219-mm-Kochmulden mit versiegelten Brennern: Wenn Steakgrill- (C) oder Griddleflächenmodelle (G) an einer brennbaren Fläche installiert werden, ist ein Sockel von mindestens 254 mm Höhe erforderlich.

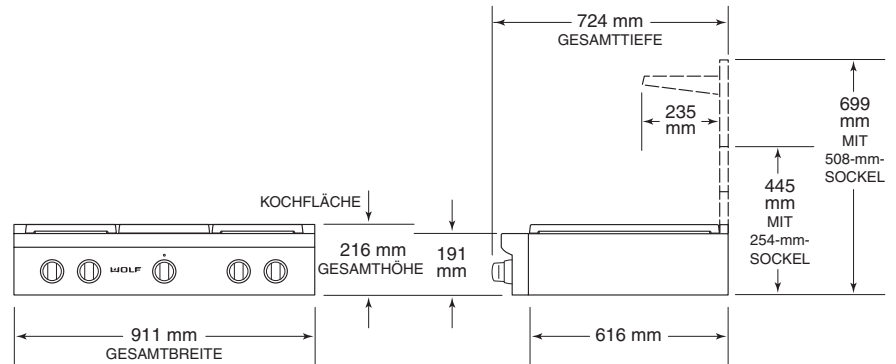


914-MM-KOCHMULDE MIT VERSIEGELTEN BRENNERN

GESAMTABMESSUNGEN

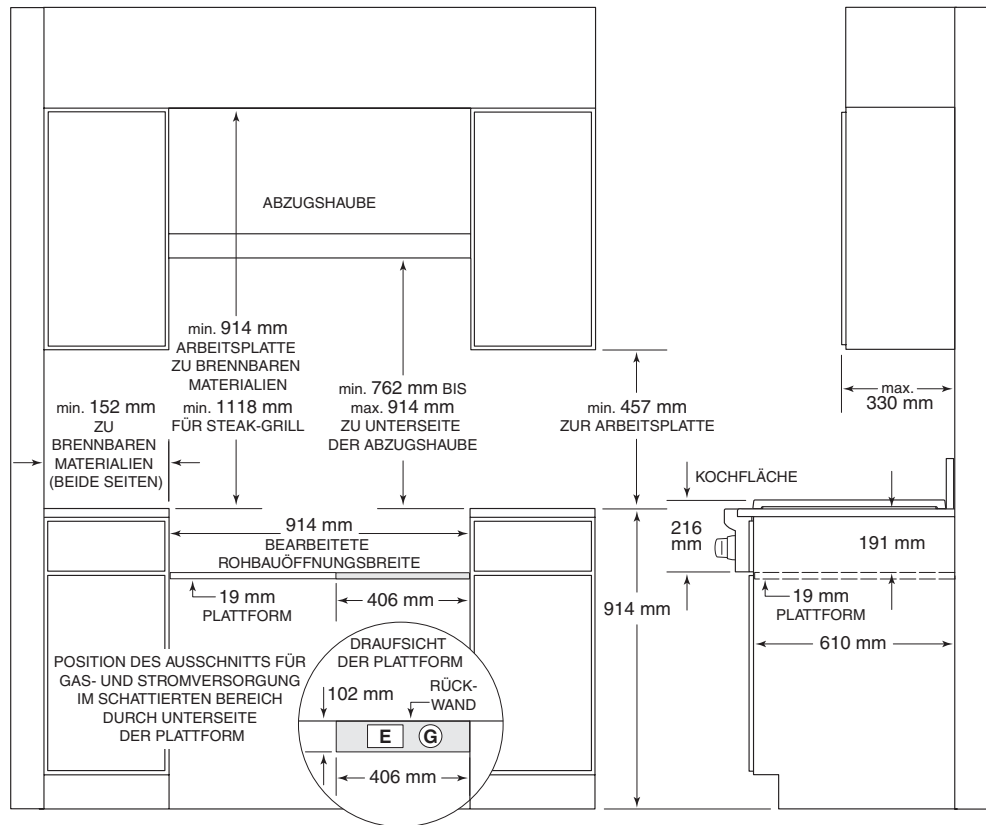
Gesamtbreite	911 mm
Gesamthöhe (zur Kochfläche)	216 mm
Gesamtiefe	724 mm
Öffnungsbreite	914 mm

Abmessungen können bis zu ± 3 mm abweichen.



INSTALLATIONSSPEZIFIKATIONEN

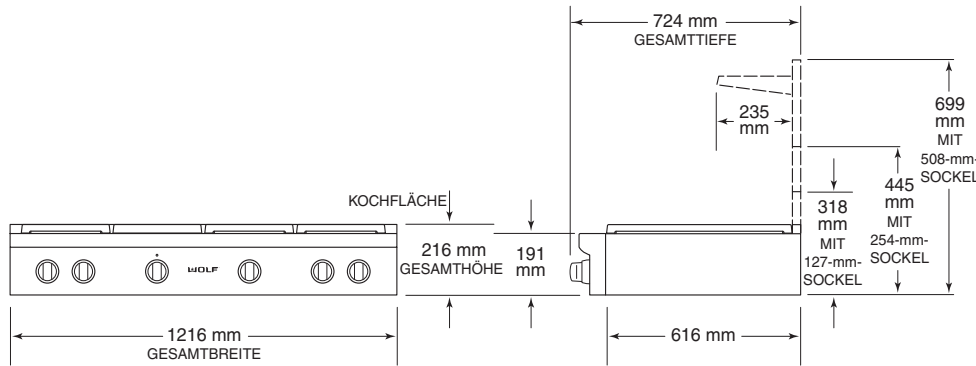
WICHTIGER HINWEIS:
Wenn Steakgrill- (C) oder Griddleflächenmodelle (G) an einer brennbaren Fläche installiert werden, ist ein Sockel von mindestens 254 mm Höhe erforderlich.



INSELINSTALLATIONEN: 305 mm MINDESTFREIRAUM VON HINTERSEITE DES KOCHFELDS ZU BRENNBARER HINTERWAND ÜBER ARBEITSPLATTE – min. 0 ZU NICHT BRENNBAREN MATERIALIEN



1219-MM-KOCHMULDE MIT VERSIEGELTEN BRENNERN

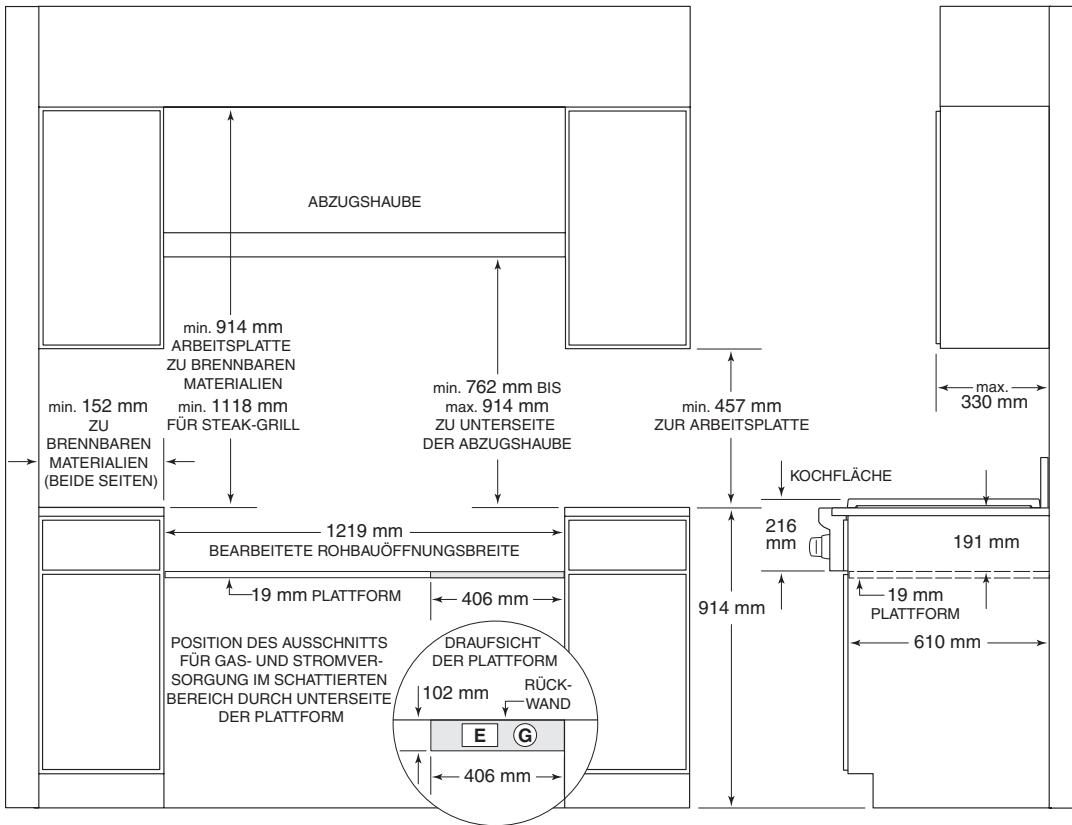


GESAMTABMESSUNGEN

Gesamtbreite	1216 mm
Gesamthöhe (zur Kochfläche)	216 mm
Gesamttiefe	724 mm
Öffnungsbreite	1219 mm

Abmessungen können bis zu ± 3 mm abweichen.

INSTALLATIONSSPEZIFIKATIONEN



WICHTIGER HINWEIS:
Bei 1219-mm-Kochmulden mit versiegelten Brennern ist ein Sockel von mindestens 254 mm Höhe erforderlich, wenn Steakgrill- (C) oder Griddleflächenmodelle (G) an einer brennbaren Fläche installiert werden.

INSELINSTALLATIONEN: 305 mm MINDESTFREIRAUM VON HINTERSEITE DES KOCHFELDS ZU BRENNBARER HINTERWAND ÜBER ARBEITSPLATTE – min. 0 ZU NICHT BRENNBAREN MATERIALIEN



WICHTIGER
HINWEIS

Diese Installation muss alle örtlichen Vorschriften und Richtlinien einhalten.

INSTALLIEREN DER KOCHMULDE

Präparieren Sie die bearbeitete Rohbauöffnung für die Kochmulde entsprechend der Abbildung mit den Installationsspezifikationen für Ihr Modell auf Seite 65–67. Die Plattform muss 19 mm stark sein und rechts hinten über einen Ausschnitt verfügen, durch den die Gasversorgung und die Elektroanschlüsse geführt werden.

WICHTIGER HINWEIS: Die Plattform muss eben ausgerichtet sein, um eine eben ausgerichtete Kochfläche zu gewährleisten.

Alle Verpackungsmaterialien einschließlich Karton und Klebeband auf der Außenseite der Kochmulde entfernen und entsorgen. Die Brennerroste und das Styropor von der Kochfläche abnehmen. Es muss darauf geachtet werden, dass die Brennerdeckel, die unter den Brennerrosten in Styropor verpackt sind, entfernt werden.

Wenn für Ihre Installation ein Sockel erforderlich ist, muss dieser vor der Installation an der Kochmulde befestigt werden. Siehe die dem Sockel beigegepackten Installationsanweisungen.

Die Kochmulde auf der Plattform positionieren. Die Gasversorgungs- und Elektroanschlüsse müssen hergestellt werden, bevor die Kochmulde in die endgültige Position gebracht wird.

VORAUSSETZUNGEN FÜR DIE GASVERSORGUNG

⚠ ACHTUNG

EXPLOSIONSGEFAHR—

Alle externen Gasanschlüsse müssen fest angezogen werden.

Anderenfalls kann es zu einer Explosion oder zu einem Brand mit Todesfolgen kommen.

WICHTIGER HINWEIS: Die versiegelte Kochmulde muss an einer geregelten Gasversorgung angeschlossen werden.

WICHTIGER HINWEIS: Diese Installation muss alle örtlichen Vorschriften und Richtlinien einhalten.

Auf dem Typenschild auf der Unterseite des Brennergehäuses sind Informationen bezüglich des zu verwendenden Gastyps aufgeführt. Wenn diese Informationen nicht mit dem verfügbaren Gas übereinstimmen, wenden Sie sich an Ihr örtliches Gasversorgungsunternehmen.

Alle Geräte sind mit einem Gaseinlassgewindeanschluss nach ISO 7-1 ausgestattet. Wenden Sie sich bitte an Ihren örtlichen Wolf-Händler, wenn ein ISO 228-1- oder sonstiger Gaseinlassgewindeanschluss erforderlich ist. Es sollten Dichtungsmassen für Rohrverschraubungen verwendet werden, die zur Verwendung mit Flüssiggas kompatibel sind. In der Regel legen Lieferanten von Flüssiggas die im System verwendeten Größen und Materialien fest.

Wenn es die örtlichen Vorschriften gestatten, wird ein Flexmetallanschluss empfohlen, um diese versiegelte Kochmulde an die Gaszufuhrleitung anzuschließen. Dieser Flexanschluss darf beim Bewegen der versiegelten Kochmulde nicht geknickt oder beschädigt werden. Die benötigten Armaturen hängen von der Größe Ihrer Gaszufuhrleitung, des Flexmetallanschlusses und des Absperrventils ab.

Wenn als Gaszufuhrleitung ein starres Rohr verwendet wird, muss eine Kombination aus Rohrarmaturen benutzt werden, um die Verbindung zur versiegelten Kochmulde herzustellen. Auf den Zufuhr- und Versorgungsleitungen darf keine Zugspannung ausgeübt werden, damit die versiegelte Kochmulde gerade und genau ausgerichtet ist.



GASNENNLEISTUNG

Modellnummer	Gesamt- wärme- leistung (Gas)	Gas- einheiten	Elektro- nenn- leistung (Amp)	Geräte- kategorie	Typen und Drücke (mbar)	Zielland
ICBSRT304	16,6	kW	0,17	I2H	G20 bei 20	AT, DK, EE, FI, GR, IE, IT, LT, NO, PT, ES, SE, SI, SK, GB, CH
				I2E	G20 bei 20	DE, PL
				I2E+	G20 bei 20/25	BE, FR
ICBSRT304-LP	1037	g/h	0,17	I3P	G31 bei 37	BE, CZ, FR, GR, IE, NL, NO, PT, ES, GB, CH
ICBSRT364C	22,4	kW	0,17	I2H	G20 bei 20	AT, DK, EE, FI, GR, IE, IT, LT, NO, PT, ES, SE, SI, SK, GB, CH
				I2E	G20 bei 20	DE, PL
				I2E+	G20 bei 20/25	BE, FR
ICBSRT364C-LP	1415	g/h	0,17	I3P	G31 bei 37	BE, CZ, FR, GR, IE, NL, NO, PT, ES, GB, CH
ICBSRT364G	22,1	kW	0,17	I2H	G20 bei 20	AT, DK, EE, FI, GR, IE, IT, LT, NO, PT, ES, SE, SI, SK, GB, CH
				I2E	G20 bei 20	DE, PL
				I2E+	G20 bei 20/25	BE, FR
ICBSRT364G-LP	1373	g/h	0,17	I3P	G31 bei 37	BE, CZ, FR, GR, IE, NL, NO, PT, ES, GB, CH
ICBSRT486C	31,6	kW	0,17	I2H	G20 bei 20	AT, DK, EE, FI, GR, IE, IT, LT, NO, PT, ES, SE, SI, SK, GB, CH
				I2E	G20 bei 20	DE, PL
				I2E+	G20 bei 20/25	BE, FR
ICBSRT486C-LP	1987	g/h	0,17	I3P	G31 bei 37	BE, CZ, FR, GR, IE, NL, NO, PT, ES, GB, CH
ICBSRT486G	31,3	kW	0,17	I2H	G20 bei 20	AT, DK, EE, FI, GR, IE, IT, LT, NO, PT, ES, SE, SI, SK, GB, CH
				I2E	G20 bei 20	DE, PL
				I2E+	G20 bei 20/25	BE, FR
ICBSRT486G-LP	1945	g/h	0,17	I3P	G31 bei 37	BE, CZ, FR, GR, IE, NL, NO, PT, ES, GB, CH
ICBSRT484CG	27,9	kW	0,17	I2H	G20 bei 20	AT, DK, EE, FI, GR, IE, IT, LT, NO, PT, ES, SE, SI, SK, GB, CH
				I2E	G20 bei 20	DE, PL
				I2E+	G20 bei 20/25	BE, FR
ICBSRT484CG-LP	1751	g/h	0,17	I3P	G31 bei 37	BE, CZ, FR, GR, IE, NL, NO, PT, ES, GB, CH
ICBSRT484F	21,2	kW	0,17	I2H	G20 bei 20	AT, DK, EE, FI, GR, IE, IT, LT, NO, PT, ES, SE, SI, SK, GB, CH
				I2E	G20 bei 20	DE, PL
				I2E+	G20 bei 20/25	BE, FR
ICBSRT484F-LP	1323	g/h	0,17	I3P	G31 bei 37	BE, CZ, FR, GR, IE, NL, NO, PT, ES, GB, CH



VORAUSSETZUNGEN FÜR DIE GASVER- SORGUNG

TESTEN AUF GASLECKS

Mit einer Bürste und Flüssigseife alle Gasanschlüsse auf Lecks testen. Blasen um die Anschlüsse herum zeigen an, dass ein Leck vorhanden ist. Wenn sich ein Leck bemerkbar macht, das Gasventil schließen und die Anschlüsse korrigieren. Anschließend die Anschlüsse erneut testen. Die Flüssigseife auf der Kochmulde abwischen.

⚠ ACHTUNG

Auf keinen Fall mit einem Streichholz oder einer sonstigen Flamme auf ein Gasleck testen.



ELEKTROVORAUSSETZUNGEN

⚠ ACHTUNG

STROMSCHLAGGEFAHR —

In einen geerdeten, 3-poligen Adapter einstecken.

Erdungsstift nicht entfernen.

Keinen Adapter verwenden.

Bei Nichteinhaltung dieser Anweisungen kann es zu einem Stromschlag oder Brand, eventuell mit Todesfolgen, kommen.

WICHTIGER HINWEIS: Wenn es laut Vorschriften zulässig ist, ein separates Erdungskabel zu verwenden, wird empfohlen, die ausreichende Sicherheit des Erdungspfades von einem qualifizierten Elektriker überprüfen zu lassen.

WICHTIGER HINWEIS: Setzen Sie sich mit einem qualifizierten Elektriker in Verbindung, wenn Sie sich nicht sicher sind, ob die versiegelte Kochmulde ausreichend geerdet ist.

WICHTIGER HINWEIS: Die Erdung nicht an einem Gasrohr anschließen.

Eine Stromversorgung von 220-240 V AC, 50/60 Hz mit Sicherung ist erforderlich. Es wird eine Sicherung mit Zeitverzögerung oder ein Schutzschalter empfohlen. Es wird empfohlen, einen separaten Stromkreis zur Verfügung zu stellen, der nur für dieses Gerät benutzt wird.

Elektronische Zündsysteme werden innerhalb von breit gefassten Spannungsgrenzen betrieben, eine ordnungsgemäße Erdung und Polarität sind jedoch auf jeden Fall erforderlich. Ein qualifizierter Elektriker muss nicht nur prüfen, ob die Steckdose 220-240 V AC speist und richtig geerdet ist, sondern auch, ob sie mit der richtigen Polarität verdrahtet ist.

Dieses Gerät muss nach der Installation gemäß örtlichen Vorschriften geerdet sein.

EMPFOHLENE ERDUNGSMETHODE

WICHTIGER HINWEIS: Für Ihre persönliche Sicherheit muss diese versiegelte Kochmulde geerdet werden. Diese versiegelte Kochmulde ist mit einem dreipoligen Erdungsstecker ausgestattet. Um die Stromschlaggefahr so gering wie möglich zu halten, muss das Kabel in eine passende 3-polige Steckdose eingesteckt werden, die in Übereinstimmung mit allen örtlichen Vorschriften und Richtlinien geerdet wurde. Ist keine passende Steckdose vorhanden, dann ist der Kunde dafür verantwortlich, eine ordnungsgemäß geerdete, 3-polige Steckdose von einem qualifizierten Elektriker installieren zu lassen.

WICHTIGER HINWEIS: Wenn ein Gerät an einen FI-Schutzschalter angeschlossen wird, kann die Netzstromzufuhr durch Fehlauslösungen unterbrochen werden, was zu einem Arbeitsausfall des Geräts führt.




VERDRAHTUNGSDIAGRAMM

Das Verdrahtungsdiagramm, das den Schaltkreis darstellt, befindet sich auf der linken Innenwand der Kochmulde.





OBERFLÄCHENBRENNER

ERSTMALIGES ANZÜNDEN

Die Oberflächenbrenner verwenden elektronische Zünder anstelle von Pilotflammen. Wenn der Schaltknebel der versiegelten Kochmulde gedrückt und in die Position  gedreht wird, erzeugt das System einen Funken, um den Brenner anzuzünden. Diese Funkenbildung erfolgt so lange, bis die elektronische Zündung eine Flamme erkennt. Wenn der Brenner nach 10 Sekunden nicht zündet, den Schaltknebel in die Position  drehen und versuchen, den Brenner zu zünden, indem der Schaltknebel wieder in die Position  gebracht wird.

Darauf achten, dass die Brennerköpfe und Deckel auf jeden Brennersockel platziert und die Brennerroste über die Brennersockel positioniert werden, bevor sie gezündet werden.

Zur Überprüfung des Betriebs der Oberflächenbrenner jeden Schaltknebel drücken und in die Position  drehen. Die Flamme sollte innerhalb von vier Sekunden gezündet werden.

Wenn die Brenner nicht richtig gezündet werden, den Schaltknebel in die Position  drehen. Sicherstellen, dass die Brennerköpfe und Deckel sich in der richtigen Position befinden. Sicherstellen, dass das Netzkabel eingesteckt und der Schutzschalter nicht ausgelöst wurde bzw. die Sicherung nicht durchgebrannt ist. Den Betrieb erneut überprüfen. Wenn die Brenner zu diesem Zeitpunkt immer noch nicht richtig zünden, wenden Sie sich an ein Wolf-Kundendienstzentrum.

WICHTIGER HINWEIS: Das erstmalige Zünden der Oberflächenbrenner dauert u. U. etwas länger, da die Luft im System ausgeblasen werden muss, bevor der Brenner mit Gas versorgt wird.

AUSBAUEN DER VERSIEGELTEN KOCHMULDE

Wenn die versiegelte Kochmulde zur Reinigung oder Durchführung von Wartungsarbeiten ausgebaut werden muss, die Gaszufuhr absperren. Die Gas- und Stromversorgung abtrennen. Die Montagehalterungen auf der rechten und linken Seite des Brennergehäuses sowie die versiegelte Kochmulde ausbauen. In umgekehrter Reihenfolge wieder einbauen und den Gasanschluss auf Lecks überprüfen.

FEHLERSUCHE

WICHTIGER HINWEIS: Wenn die versiegelte Kochmulde nicht richtig funktioniert, führen Sie zur Fehlersuche folgende Schritte aus:

- Stellen Sie sicher, dass die versiegelte Kochmulde mit Strom versorgt wird.
- Überprüfen Sie, ob die Gasventile auf die Position EIN gestellt sind.
- Prüfen Sie die Gaszufuhr und elektrischen Anschlüsse, um sicherzustellen, dass die Installation richtig abgeschlossen wurde.
- Befolgen Sie die in der Bedienungs- und Pflegeanleitung für Kochmulden mit versiegelten Brennern von Wolf beschriebenen Verfahren zur Fehlersuche.
- Wenn die versiegelte Kochmulde immer noch nicht funktioniert, wenden Sie sich an ein Wolf-Kundendienstzentrum. Versuchen Sie auf keinen Fall, die versiegelte Kochmulde selbst zu reparieren. Wolf ist nicht für Servicearbeiten verantwortlich, die zur Korrektur einer fehlerhaften Installation erforderlich sind.



WENN **SERVICE** ERFORDERLICH IST

- Wenden Sie sich zwecks Service in Ihrer Region entweder an Ihren Wolf-Vertragshändler oder besuchen Sie den Showroom Locator auf unserer Website wolfappliance.com, um nach der regionalen Vertriebsstelle im jeweiligen Land zu suchen.
- Wenn Sie zwecks Service anrufen, benötigen Sie die Modell- und Seriennummer der versiegelten Kochmulde. Beide Nummern sind auf dem Typenschild aufgeführt, das sich auf der Unterseite der versiegelten Kochmulde befindet. Die Position des Typenschildes entnehmen Sie der Abbildung auf Seite 62.

KONTAKTINFORMATIONEN

Website:
wolfappliance.com

Die Informationen und Abbildungen in dieser Anleitung sind das urheberrechtlich geschützte Eigentum der Wolf Appliance, Inc., einem Tochterunternehmen der Sub-Zero, Inc. Weder dieses Handbuch noch darin enthaltene Informationen oder Abbildungen dürfen insgesamt oder teilweise ohne die ausdrückliche schriftliche Genehmigung der Wolf Appliance, Inc., einem Tochterunternehmen der Sub-Zero, Inc., kopiert oder verwendet werden.

©Wolf Appliance, Inc. Alle Rechte vorbehalten.

WOLF APPLIANCE, INC.
PO BOX 44848
MADISON, WI 53744 USA
WOLFAPPLIANCE.COM

809933 10/2007



WOLF[®]